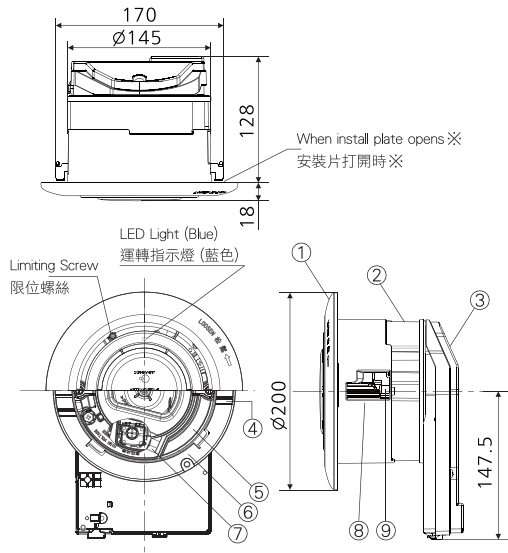


Parts Names and Dimensions

部件名稱及尺寸

Unit: mm 單位: mm



No. 序號	Part Name 部件名稱	Qty 數量
①	Louver 百葉	1
②	Frame 框架	1
③	Electric Case Assy 電源蓋組合	1
④	Motor 電動機	1
⑤	Fan 扇葉	1
⑥	Orifice Assy 面罩組合	1
⑦	nanoe®X Unit nanoe®X 單元	1
⑧	Install Screw 安裝螺絲	2
⑨	Install Plate 安裝片	2

※ Initial position of install plate is closed.
安裝片初始位置為閉合。

Specifications

規格

Rated Voltage 額定電壓	Rated Frequency 額定頻率	Power Consumption 額定輸入總功率	Air Volume 風量	Noise 噪音	Net Weight 淨重
[V]	[Hz]	[W]	[m ³ /h]	[dB]	[kg]
220	50	4.0	15	23.5	1.1



- Value of power consumption, air volume and noise are measured when the static pressure is 0Pa. 額定輸入總功率、風量、噪音值等數據是在靜壓為 0Pa 狀態下的數值。
- Air volume is the central value measured by this company with a range of ±10% tolerance. 風量是本公司測試結果的中心值，有 ±10% 的公差範圍。
- Noise is the A weighted sound pressure level, which is the central value measured by this company, its tolerance range is from +3dB to -7dB. The method to measure is as follows: in an anechoic chamber, measure noise value 1m away from the front, left and beneath of the product, then get the average value. 噪音值為A計權平均聲壓級，是本公司測試結果的中心值，有 +3dB/-7dB 的公差範圍。測試方法為在全消音噪聲測試室內，距樣品前方、左方、下方各1米處測定其噪音值，然後取其平均值。
- The applicable ambient temperature of this product is in the range of -10°C ~ 40°C, using it out of this range may cause a fault. 本產品適用環境溫度 -10°C ~ 40°C，否則可能會引起故障。
- This product complies with the IPX2 requirement against the water drop experiment. 本產品機體通過防滴水測試，符合 IPX2 要求。



產品資料

本產品目錄只供參考，資料已經過細心核對，如有錯漏，以廠方生產的規格為準。本公司保留更改產品設計及規格之權利，恕不另行通知。如有任何爭議，信興電器貿易有限公司保留最終決定權。

This catalogue is for reference only. The product information is subject to manufacturer specifications. The design and specifications of the products may be modified without prior notice. In case of any dispute, Shun Hing Electronic Trading Co., Ltd. reserves the right of final decision. 10/2021

Panasonic



Air-e nanoe®X 納米離子機 (天花式)
Air-e nanoe®X Generator (Ceiling Mount)



nanoe®X

How does nanoe[®] X work

nanoe[®] X 產生的過程



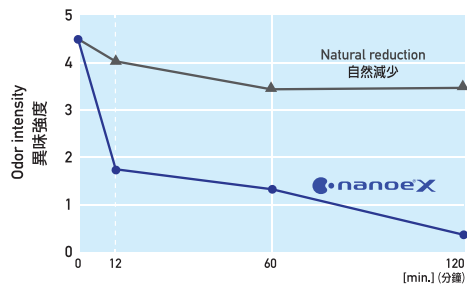
1 Water molecules are condensed at the pin tip
水分於微型電極針末端凝結

2 High voltage is applied to the condensed water
對電極針末端凝結的水分施加高壓電擊

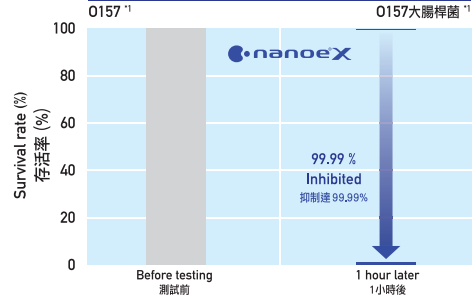
3 4.8 trillion[†] of OH radicals, contained in nanoe[®] X,
are generated per second
每秒能釋出4.8億粒[†]的氫氧離子

ESR test result 根據ESR測試結果

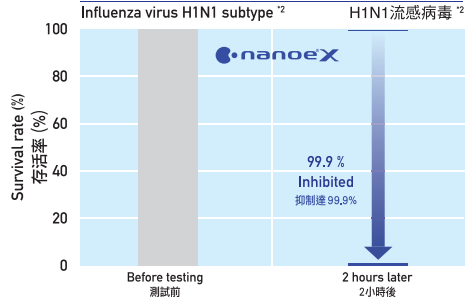
Cigarette smoke odor^{†1} 香煙氣味^{†1}



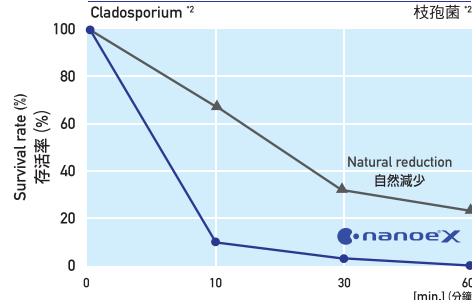
Adhered bacteria 依附的細菌



Adhered viruses 依附的病毒



Airborne mold 空氣中漂浮的霉菌



*1 Panasonic Product Analysis Center test result Panasonic 產品分析中心測試結果

*2 Japan Food Research Laboratories test result 日本食品分析中心測試結果

- Data provided regarding the effectiveness of nanoe[®] X and nanoe[®] have been obtained through experiments under special conditions using devices which generate electrostatic atomized water, and have not been tested through commercial products with the devices incorporated in them. 關於 nanoe[®] X 及 nanoe[®] 有效性的數據是通過在特殊條件下使用產生靜電霧化水的設備進行的實驗獲得的，尚未通過包含該設備的商業產品進行測試。
- Deodorization effect varies according to the environment (temperature and humidity), operation time, odor, and fabric types. It does not eliminate toxic substances in cigarettes (carbon monoxide, etc.). Odors that are continuously generated (e.g. building material odors and pet odors) are not completely eliminated. Results may vary based on usage, and seasonal/environmental variables (temperature and humidity), nanoe[®] X and nanoe[®] inhibit activity or growth of viruses, but do not prevent infection. 除臭效果會因環境、溫度、濕度、使用時間、氣味和織物類型而異。不能消除香煙中的有毒物質（一氧化碳等）。持續產生的氣味（建築材料的氣味等）不能完全消除。效果因環境、季節、溫度、濕度、使用時間和個人習慣而有所不同。nanoe[®] X 及 nanoe[®] 可以抑制家居常見的各種細菌和霉菌的生長，但未能預防感染。
- Individual results may vary based on usage, and environmental variables (temperature and humidity). 個別測試結果因環境、溫度、濕度、使用時間和個人習慣而有所不同。

Edge Slim Design

纖薄邊緣設計



FV-15CSD1H
Installation Plate opens
安裝孔尺寸 150mm

Closer to the wall and integrated
with the design
更貼近牆面，與裝潢融為一體

Easy to Install

簡易安裝 不需接駁喉管



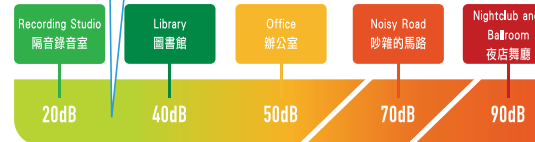
Changing Room: Inhibit the growth
of mold in clothing
更衣室：抑制霉菌滋生 保護衣物

Shoe Cabinet: Remove odors
and maintain fresh air
鞋櫃：清除臭味 維持清新空氣

Low Noise Design and Quiet Operation

低噪音設計 操作寧靜

23.5dB
約23.5分貝 Super quiet!
超安靜！



Low Power Consumption, Energy & Power Saving

低耗電、節能

- Power Saving 省電**
Only **4W** electricity during operation, low electricity consumption
運轉時僅需 **4W** 電力，耗電量低，輕鬆省電沒有負擔
- Maintenance-Free 無需定期替換**
No maintenance required for nanoe[®] X generator device as nanoe[®] X is generated from water in the air
由於 nanoe[®] X 是透過將空氣中的水分施加高壓電產生而成，因此 nanoe[®] X 生成器不需如過濾網般定期更換

Protect your surroundings and bring clean air to your home and different places at all times

守護你周圍的環境，時刻為家居
及不同場所帶來潔淨空氣

