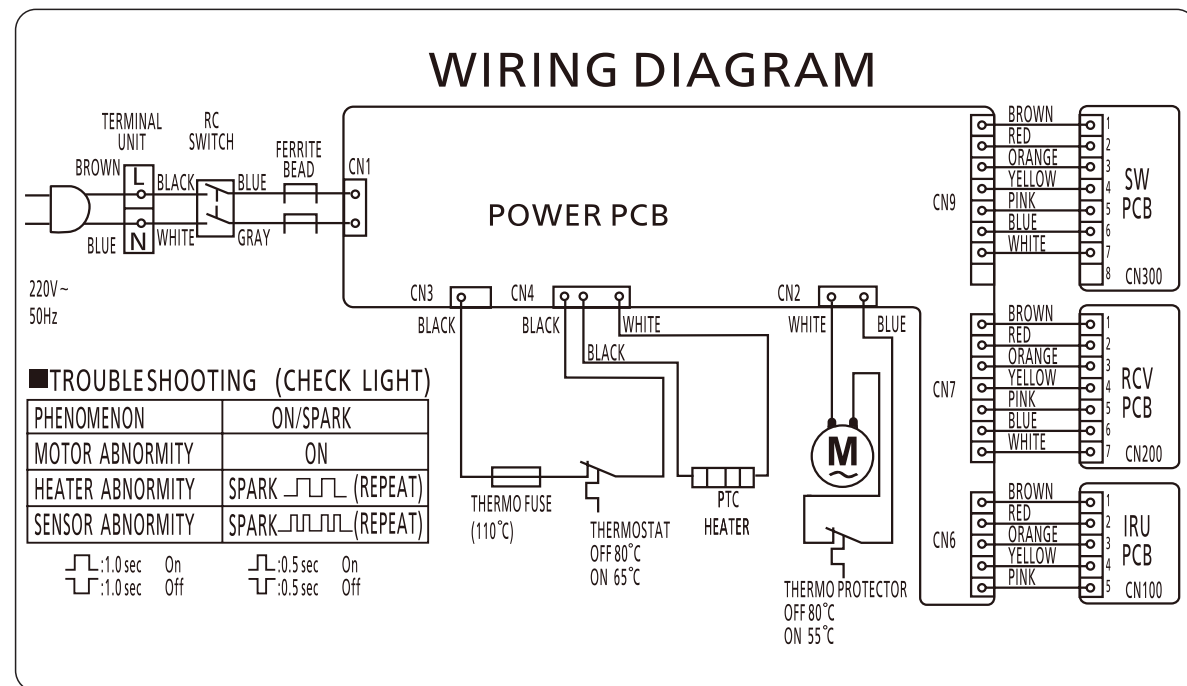


SPECIFICATIONS AND ELECTRICAL DIAGRAMS 規格及電氣原理圖



Model 型號	Rated Voltage 額定電壓 [V]	Rated Power 額定頻率 [Hz]	Total Rated Input Power 額定輸入總功率 [W]	Rated Current 額定電流 [A]	Power 功率 [W]		Current 電流 [A]		Net Weight 淨重 [kg]
					Heater On 加熱器開	Heater Off 加熱器關	Heater On 加熱器開	Heater Off 加熱器關	
					Hi/Low 強/弱	Hi/Low 強/弱	Hi/Low 強/弱	Hi/Low 強/弱	
FJ-T10T1	220	50	1250	6	1250/ 940	800/ 471	6/5	3.5/3	8

Panasonic Corporation

Web Site: <http://panasonic.net/>

© Panasonic Corporation 2012

X1206-0 T10T18510

Panasonic[®]

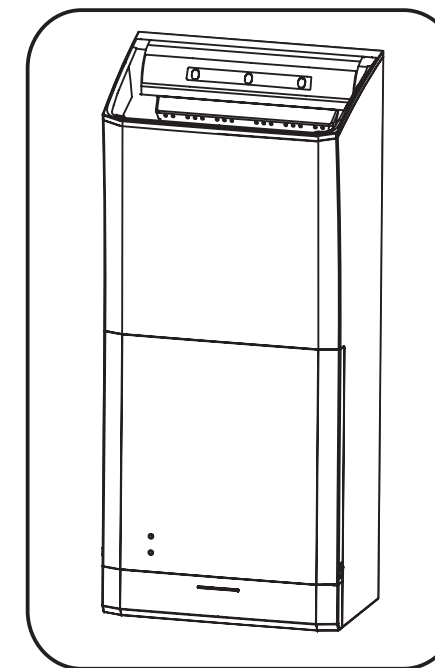
INSTALLATION INSTRUCTIONS

安裝使用說明書

Hand Dryer

乾手機

Model: **FJ-T10T1**
型號:



Contents

目錄

List of Enclosed Attachments	2
包裝附件清單	
Safety Instructions	2~3
安全指引	
Installation Safety Instructions	3~4
安裝注意事項	
Part Name and Dimensions	4~5
部件名稱及尺寸	
Installation Outline	5~9
安裝方法	
Use Outline	10~11
使用方法	
Precautions in Use	11~13
使用時注意事項	
Routine Use and Maintenance	14~17
日常使用及維護	
Antibacterial Function	18
抗菌功能	
Troubleshooting	19
常見故障的識別與處理	
Specifications and Electrical Diagrams	Back cover
規格及電氣原理圖	尾頁

Warranty Included

Thank you for purchasing this Panasonic product. Please read these instructions carefully before attempting to install, operate or service the Panasonic product, Failure to comply with instructions could result in personal injury or property damage. Please explain to users how to operate and maintain the product after installation, and this booklet should be presented to users. Please retain this booklet for future reference.

隨機附保證書

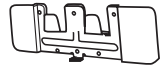


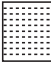

感謝您選用 Panasonic 產品。
安裝、使用和維護 Panasonic 產品前，請仔細閱讀本安裝使用說明書。
不遵照此說明書進行操作有可能導致人員受傷或財產損失。
安裝完成後，請向顧客說明如何使用和維護 Panasonic 產品，並將此說明書交給顧客保管。
請妥善保管好此說明書以備日後參考。
購機時請認真填寫保證書，並經商店填寫蓋章後妥善保管好保證書以備日後參考。

LIST OF ENCLOSED ATTACHMENTS

包裝附件清單

The following attachments are enclosed in the packing box of Panasonic products. Be sure to check if they are complete after unpacking, and if anything is missed, contact our After-Sales Service Center or the distributor.

隨 Panasonic 產品包裝箱有以下附件，開箱後清點是否齊全，若不齊全，請與 Panasonic 售後服務中心或經銷商聯繫。

Code 代號	Drawing 圖樣	Name and Purpose 名稱及用途	Quantity 數量
①		Suspension iron plate, for suspending the hand dryer body 懸掛鐵片，用於懸掛乾手機機體	1
②		Self-tapping screw (ø3.8 x 30 mm, for fixing the suspension iron plate) 自攻螺絲(ø3.8 x 30mm 用於懸掛鐵片的固定)	4
③		Installation instructions 安裝使用說明書	1
④		Warranty Card 保證書	1
⑤		Self-tapping screw (ø4 x 30 mm, for fixing the main unit) 自攻螺絲(ø4 x 30mm 用於機體的固定)	1



SAFETY INSTRUCTIONS Be sure to follow them

安全指引 請務必遵守

To avoid causing injuries to you and others, we have hereby listed out the following safety precautions. Please be sure to follow them. For indication of various signs, refer to the following contents.

為避免給您及其他人造成傷害，這裡我們列出了以下安全注意事項，請務必遵守，各種標誌的含義請參見以下內容。

■ The following two cases may happen if you ignore or misunderstand these signs. 無視或錯誤理解這些標誌，會產生下列兩種情況。

	Warning 警告	This sign indicates that "it may cause serious injury or death". 本標誌所表示的內容為“可能造成人員重傷或死亡”。
	Caution 注意	This sign indicates that "it may cause personal injury or damage to other objects". 本標誌所表示的內容為“可能造成人身傷害或其他物品損害”。

■ What must be followed are differentiated and explained with different signs as follows:

務必遵守的內容分類，用標誌區分說明如下。

TROUBLESHOOTING

常見故障的識別與處理

When an error occurs, check according to the following table. If the problem persists, switch the power to [Off] and contact the customer service center or dealer.

發生故障時請按下表進行檢查。如果問題仍然未能解決，請把電源開關切換到[關]狀態，且與客戶諮詢中心或經銷商聯繫。

Symptom 症狀	Cause 原因	Solution 處理
No air is blown out when hands are put in. 手放入無風吹出	The power may be [Off]. 有可能電源為[關]狀態	Switch the power to [On]. 請把電源按到[開]
No air is blown out when hands are put in or the air does not stop when hands are withdrawn. 手放入無風吹出或手抽出風不停止	The sensor may have stains. 有可能是感應器有污漬	Clean the sensor. 請清潔感應器
	There may be foreign objects within the sensing scope of the sensor. 有可能是感應器的感應範圍內有異物	Remove the foreign objects. 請去除異物
The air is weak. 風較弱	The air volume button may be [Weak]. 風量按鈕可能為[弱]	Switch to [Strong]. 請切換為[強]
No warm air is blown out. 無溫風吹出	Is the heater [Off]? 有可能是加熱器為[關]狀態	Switch to [On]. 請切換為[開]
The lighting is not turned on. 照明不亮	Is the lighting [Off]? 有可能是照明為[關]狀態?	Switch to [On]. 請切換為[開]
The inspection LED blinks. 檢查燈閃爍	The sensor may have stains. 有可能是感應器有污漬	Clean the sensor. 請清潔感應器
	The sensor may be exposed to strong light, such as direct sunlight. 有可能是日光等強光照射到感應器	Keep the sensor away from direct sunlight. 請不要讓日光等強光照射到感應器
	Heater error 加熱器故障	Contact the customer service center or dealer. 請與客戶諮詢中心或經銷商聯繫
The inspection LED is on. 檢查燈亮著	Motor error 電機故障	Contact the customer service center or dealer. 請與客戶諮詢中心或經銷商聯繫

INSTALLATION SAFETY INSTRUCTIONS 安裝注意事項



Do not install it on walls without sufficient strength. If you cannot ensure the installation strength, be sure to adopt reinforcement measure. This product weighs 8 kg, and the wall for supporting and installing it shall be capable of bearing 40 kg.

不得安裝在強度不夠的牆上，如不能確保安裝強度，請務必採取加固措施。本產品的重量為8kg，用於支撐及安裝本產品的牆壁能承受的重量為40kg。

If the product falls off, it will cause injuries or damages.
若本產品掉下來會可能導致受傷或機體損壞。

Do not carry the main unit by holding the nozzle.
不要持噴嘴部搬動機體。

It may cause injuries or damages.
會導致機體破損或受傷。

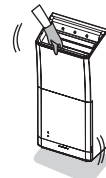


Banned
禁止

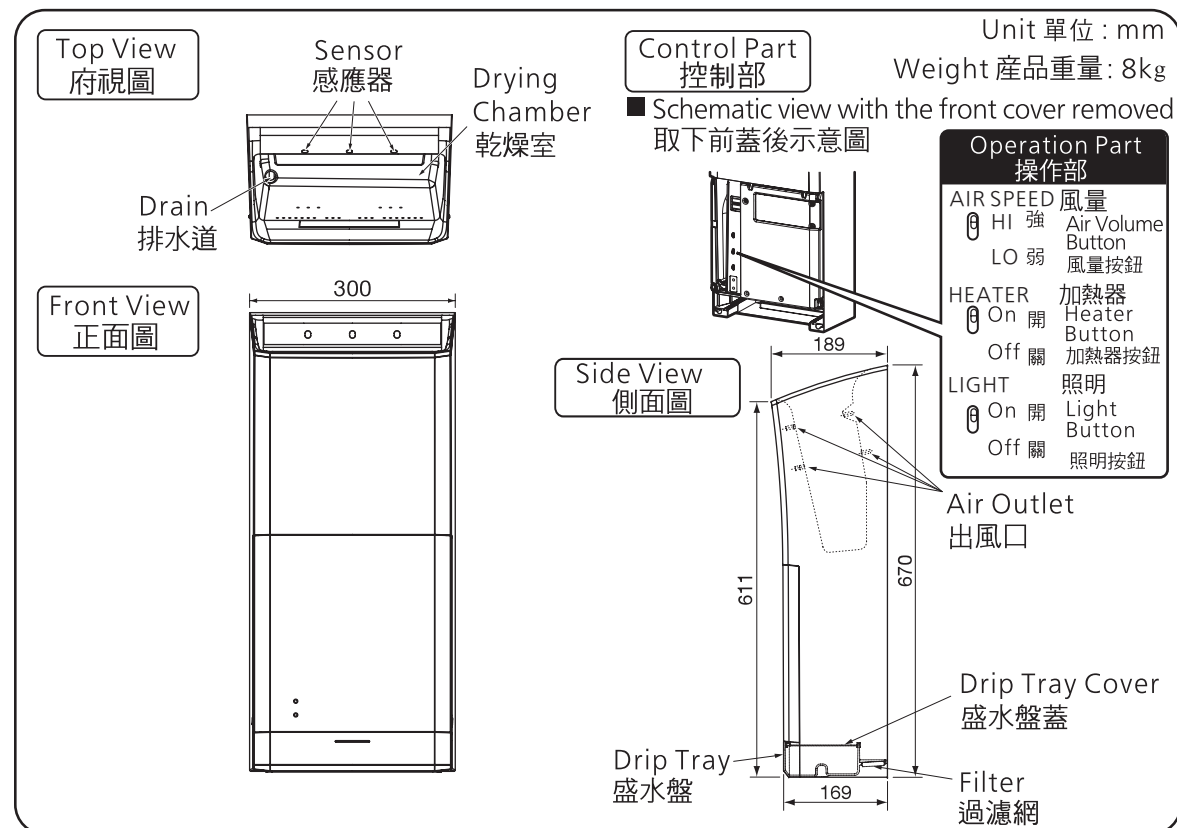
Be sure to use any special components that are supplied, such as mounting hardware.
有安裝五金件等專用零部件時，應使用專用零部件。

The main unit shall be installed on a smooth wall.
主機應安裝於平滑的牆身之上。

If it is installed on a rugged wall, errors may occur during use.
若安裝於凹凸不平的牆身會導致使用時出現各種問題。



PART NAME AND DIMENSIONS 部件名稱及尺寸



ROUTINE USE AND MAINTENANCE 日常使用及維護

6 Clean the main unit: drying chamber, sensor and drain (once a week is suggested). (Fig. 18)
清潔機體：乾燥室·感應器·排水道(建議每周1次)。(圖18)

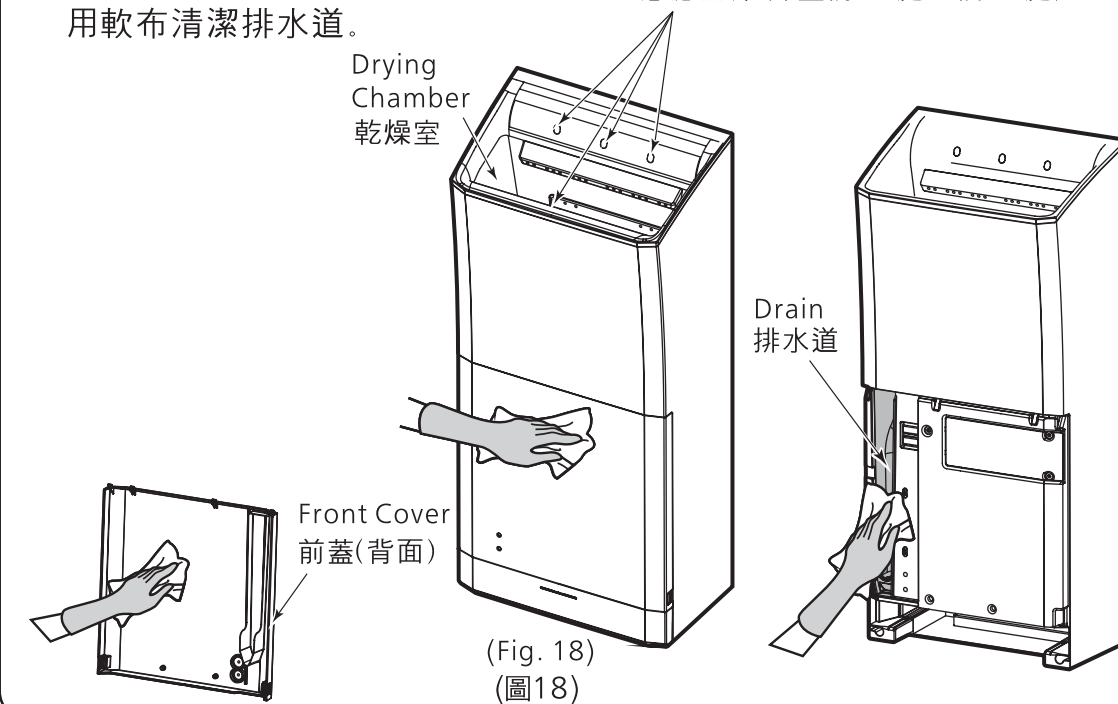
- Switch the power to [Off].
電源開關切換為[關]
 - Remove the drip tray assembly and the front cover.
將盛水盤組合、前蓋取下。
 - Switch the power to [Off].
將電源開關切換為[關]。
 - Clean the main unit, drying chamber, sensor, drain and front cover.
清潔機體、乾燥室、感應器、排水道、前蓋。
- Dip the soft cloth into warm water or the diluted (neutral) kitchen cleaner, squeeze out the moisture, and then erase the stains.
將軟布用溫水或稀釋了的(中性)廚房清潔劑弄濕，然後擰掉水份，抹去污漬。

Precautions 注意事項:

Do not wash the main unit directly with water.
請不要直接用水清洗機身。

- Do not apply too much force when cleaning the sensor.
清潔感應器時，請不要用力過大。
- Clean the drain with a soft cloth.
用軟布清潔排水道。

Sensors (1 in the front of the drying chamber and 3 at the back)
感應器(乾燥室前面1處、後面3處)



② Recommended installation heights from ground to the upper end of the suspension iron plate are listed in the following table:

建議從地面到懸掛鐵片上端的安裝高度如下表:

For men	男士用	875 mm
For women	女士用	855 mm

※ If shared by men and women, the height for women is suggested.
若男女共用，應以女士用的高度為佳。

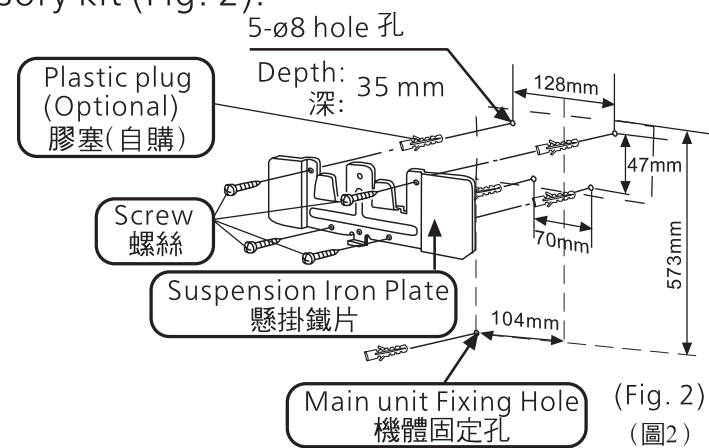
Precautions 注意事項

1. Please follow the [Installation Safety Instructions] strictly during installation (see Page 3~4 for details). As shown in the above figure, be sure to leave a gap of 150 mm between the hand dryer and the lateral wall or the combustibles. Meanwhile, leave some space on both sides of the main unit, and make sure it is not besieged by walls or any other objects.
安裝請嚴格遵守[安裝注意事項](詳見第3~4頁)。請確保遵照上圖的距離指示，令乾手機與旁邊的牆壁或易燃品保持150mm的安全距離。同時，機身左右兩旁留有空間，不可被牆壁或任何物品包圍。
2. Avoid installing in places where people might bump into the main unit or the unit will be hit by door.
請避免安裝於人們容易碰撞機身及機身會被門碰到的地方。
3. Do not set the socket in places where it may be splashed with water. (If the socket is set under the main unit, the water spilt while cleaning the drip tray may splash onto the socket.)
插座請不要設置在水易濺到的地方。
(如果將插座設置在機體下方，清潔盛水盤時溢出的水，可能會濺到插座上)

2. Main Unit Installation
機體安裝

1. Install the suspension iron plate with the screws (4 pcs) supplied in the accessory kit (Fig. 2).

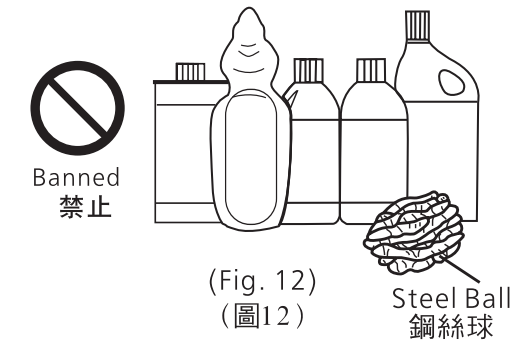
用附件包所附的螺絲(4顆)安裝懸掛鐵片(圖2)



Precautions in Cleaning:

清潔時注意事項:

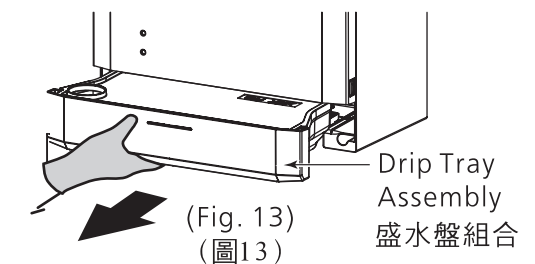
1. To protect the main unit against discoloring and rapid aging, do not use diluents, alkaline cleaners, benzene, alcohol, fungicides or steel ball, etc. as shown below. (Fig. 12)
為避免導致機身變色及加速機體老化，請勿使用類似於下圖的各種稀釋劑、鹼性清潔劑、苯、酒精、殺菌劑或鋼絲球等。(圖12)
2. To use chemical rags, follow the use instructions to clean the product.
如使用化學抹布，請遵照其使用指示來清潔本產品。
3. If the filter is jammed, the air volume will be reduced, thus affecting the drying effect.
如過濾網堵塞，風量會降低從而影響乾燥效果。
4. The drip tray shall be cleaned at least once a week.
盛水盤組合1周至少清潔1次以上。



Cleaning Steps:

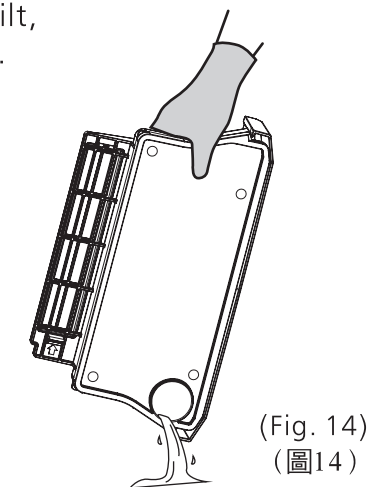
清潔步驟:

1 Pull the drip tray assembly out from the main unit. (Fig. 13)
從機體取出盛水盤組合，向前拉取出。(圖13)



Pull out the drip tray assembly horizontally and slowly. If you apply too much force or tilt, the water may splash out and wet the filter.
請水平緩慢的將盛水盤組合拉出，如果用力過大或傾斜，積水可能會濺出或弄濕過濾網。

2 Empty the water in the drip tray. (Fig. 14)
將盛水盤中的積水倒掉。(圖14)

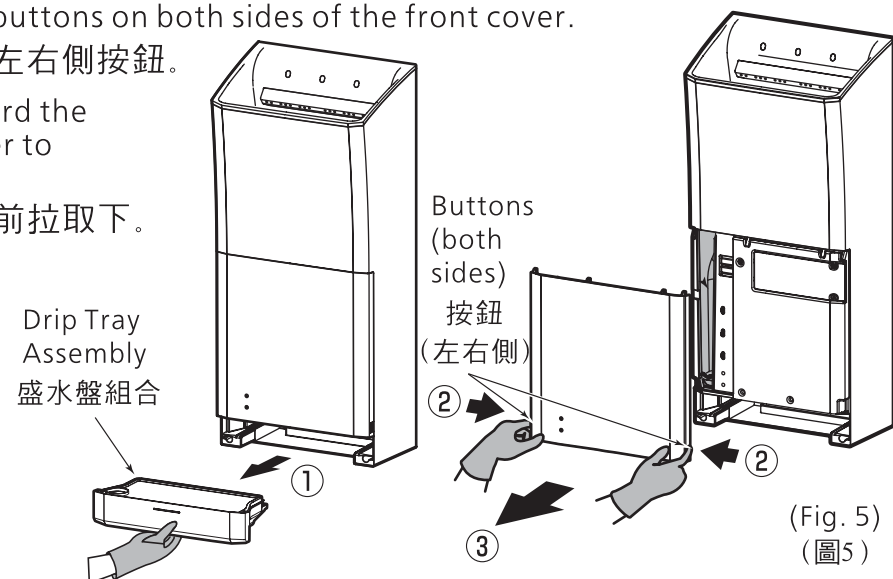


INSTALLATION OUTLINE

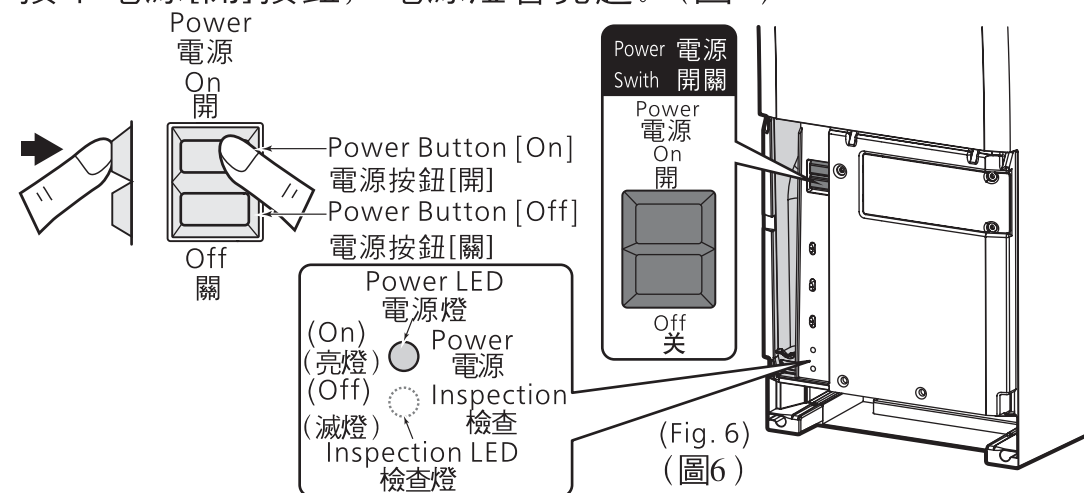
安裝方法

2. Remove the front cover. (Fig. 5) 取下前蓋 (圖5)

- ① Pull forward the drip tray assembly to remove it.
將盛水盤組合向前拉取下。
- ② Press the buttons on both sides of the front cover.
按下前蓋左右側按鈕。
- ③ Pull forward the front cover to remove it.
將前蓋向前拉取下。



3. Press the power [On] button. The power LED lights up. (Fig. 6) 按下電源[開]按鈕，電源燈會亮起。(圖6)



Warning 注意事項

- When the main unit fails or functions abnormally, the inspection LED lights up or blinks

機體發生故障或異常時，檢查燈會亮燈或閃爍。

Inspection LED (thorough check)
檢查燈(通常)
(On) 亮燈 ● Power 電源
(Off) 滅燈 ○ Inspection 檢查

Inspection LED (abnormal)
檢查燈(異常時)
(On) 亮燈 ● Power 電源
(On or blinking) 亮燈或閃爍 ○ Inspection 檢查

PRECAUTIONS IN USE

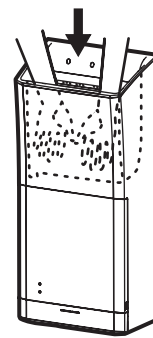
使用時注意事項

Caution 注意

- Do not allow anyone to climb the main unit.
切勿讓任何人攀附機身。
- Do not block the air outlet of the hand dryer with hands.
切勿用手遮住乾手機出風口。
- ⊘ Banned 禁止
The main unit cannot bear the weight and may fall down, thus resulting in injury.
機身會不勝負荷而下墜，引致受傷。
- ⊘ Banned
Hot air may cause hand injury.
高溫的風會導致手部受傷。
- If you are not going to use this product any more, dismantle it instead of just leaving it unattended.
如以後不打算再使用本產品時，不得放置不管，而應予以拆除。
- If it has not been used for a long time, pull out the plug.
長時間不使用時，應將插頭拔出。
- ⊘
Insulation degradation may cause electric shock or electric leakage.
會因絕緣劣化導致觸電或漏電。
- ⚠ In case of falling down, it may cause injury.
萬一掉落，可能會導致受傷。
- Wear gloves when cleaning the unit to prevent accidental injury.
清潔時請戴上手套以防意外受傷。
- Do not install this product in places exposed to direct sunlight.
請勿將本產品安裝於陽光直射的地方。
- ⚠ Otherwise it may cause injury.
否則可能導致受傷。
- ⚠ It may cause malfunction.
可能會導致產品誤作動。
- This product shall not be maintained or used by people who are disabled, mentally handicapped, insane or lack of experience and common sense (including children), unless under guidance or instruction of people who are responsible for their safety. During maintenance, children shall be tended in case they play the product as a toy.
- ⚠ 本產品不適合有殘疾、智障或精神障礙的人士或缺乏經驗常識者(包括兒童)維護使用，除非在負責他們安全的人士的看護或指導下使用。在維護保養期間，兒童應該有人進行看護，以防將產品當作玩具。

1. Stretch your hands into the bottom of the drying chamber quickly (Fig. 8). 將手迅速的伸入到乾燥室底部(圖8)

- Lighting of the drying chamber turns on, and there is air coming out from the air outlet.
乾燥室內的照明會亮起，出風口會有風吹出。
- If you slowly stretch your hands in, there may be some water drop splashed out.
如果手緩慢伸入，可能會有水點濺出。



(Fig. 8)
(圖8)

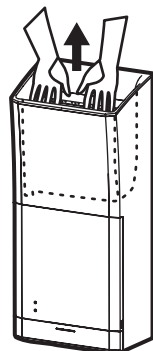
About the Lighting (Blue LED) 關於照明(藍色燈)

- After the product has been running for about 5 seconds, the lighting (blue LED) of the drying chamber blinks, which means the drying is almost completed.
After the product has been running for about 20 seconds, the lighting blinks quickly, and the product will stop running automatically after 30 seconds (to prevent risks caused by continuous running of the product due to improper use).
產品連續運轉約5秒後，乾燥室內的照明(藍色燈)會閃爍，此時乾燥已接近完成。
連續運轉約20秒後，照明會快速閃爍，30秒後產品會自動停止運轉(防止不當使用造成產品連續運轉導致危險)。
- The lighting (blue LED) goes off automatically after the product has not been used for 20 minutes.
照明(藍色燈)在待機20分鐘後會自動滅燈。
- If you want to make the lighting (blue LED) remain off for a long time, set the lighting button to [Off].
如果想使照明(藍色燈)長期處於滅燈狀態，請將照明按鈕設定為[關]。

2. Withdraw your hands slowly, and the air will dry the water. (Fig. 9) 雙手緩慢抽出，用風將水吹乾。(圖9)

(Generally repeat two to three times and the water will be blown dry.)

(一般重複2~3回，水會被吹乾)



(Fig. 9)
(圖9)

Precautions 注意事項:

1. After the unit has been running for about 30 seconds, the function for preventing improper use is enabled, and the product will stop running automatically. (Before operation stops, the lighting in the drying chamber blinks quickly.) If you need to continue using it, move away your hands first, and then stretch them into the drying chamber again to restart it.
連續使用約30秒後，其防止不當使用的功能會啟動，產品將自動停止運轉。(停止運轉前，乾燥室內的照明會快速閃爍)如需繼續使用，請先將手移開，然後再將手放入乾燥室，便可重新啟動。
2. Even though it is not in use, if the power switch is [On], there will be 1 W power consumption when the lighting is on and 0.8 W when it is off.
即使不使用時，電源開關為[開]的狀態下，照明開時會有1W、照明關時會有0.8W的電力消耗。
3. If there are any foreign objects within the sensing scope of the sensor, its function for preventing improper use will be enabled, and it will not start even when you put your hands into it. In this case, remove the foreign objects.
如果在感應器所感知範圍內有異物存在，其防止不當使用功能會啟動，即使手放入產品也不會開動，請去除異物。
4. If there are stains on the surface of the sensor, it may be unable to sense properly or out of order. In this case, clean the sensor. (There are one sensor in the front of the drying chamber and three sensors in the back.)
如果感應器表面有污漬，可能會導致感應不良或誤動作，請清潔感應器。(乾燥室前面1處、後面3處)
5. If the unit has not been used for a long time under low temperature, it will blow out some cold air at the beginning even when the heater is [On].
如果在溫度較低的地域長時間未使用，即使加熱器處於[開]狀態，剛啟動時也會稍有冷風感。

PRECAUTIONS IN USE

使用時注意事項



Warning
警告

- Do not attempt to disassemble the hand dryer for repair or modification by yourself.
禁止自行拆解乾手機進行修理或改裝。
- Otherwise, it may cause fire or malfunction, thus resulting in fire disaster or electric shock.
會導致著火或操作異常而引起火災或觸電。



- Remove the dust on the power plug regularly.
請定期清潔電源插頭上的灰塵。



If the power plug is dampened or covered with dust, the insulating property may be undermined, and it is likely to cause fire.
電源插頭受潮或鋪滿灰塵會導致絕緣不佳，易導致火災。



- Be sure to unplug the power first before cleaning.
清潔時必須先拔掉電源插頭。
- When disconnecting the power plug, hold the plug instead of the power cord.
拔掉電源插頭時，應手持插頭而非電源線。
- Otherwise, it may cause injury or electric shock.
可能會導致受傷或觸電。
- Otherwise, the power cord may be damaged or broken, thus resulting in electric shock or fire.
電源線會損壞或斷開，導致觸電或火災。
- The power plug must be connected properly. Make sure it is completely inserted and tightly fitted with the socket.
電源插頭必須插妥，要完全插入並緊貼插座。
- ! If the power plug is not completely inserted into the socket, the sparks produced when the unit is powered on may cause electric shock or fire.
如電源插頭未完全插入插座，通電所產生的火花會導致觸電或火災。
- When the power cord is damaged, be sure to ask a specialist from special repair shops or similar departments to replace it.
如果電源線損壞，必須由指定維修店或類似部門專業人員來更換。
- Do not attempt any actions that may damage the power cord or the power plug (for example, scraping, modifying or rough dragging).
不得做出任何導致電源線或電源插頭受損舉動(如刮擦、改裝或粗暴拉扯等)。
- ! Otherwise, it may cause electric shock, short circuit or fire.
否則會導致觸電、短路或火災。
- Banned 禁止 Using a damaged power cord or power plug may cause electric shock, short circuit or fire.
使用已損壞的電源線或電源插頭會導致觸電、短路或火災。
- Do not use this product near combustibles (paraffin oil, petrol and diluent, etc.).
禁止在易燃物品(石蠟油、汽油、稀釋劑等等)附近使用本產品。
- Do not wash the main unit directly with water.
禁止直接用水清洗機身。
- Banned 禁止 Otherwise, it may cause explosion or fire.
會引致爆炸或火災。
- Banned 禁止 Otherwise, it may cause short circuit, fire or electric shock.
會導致短路，引起火災或觸電。
- Do not insert the power plug into the socket with wet hands.
切勿用沾濕的手將電源插頭插入插座。
- Do not insert any foreign objects (such as nails, needles or other metal items) into the air outlet or other orifices.
切勿將任何異物(如釘、針或其他金屬品)插入出風口或其他孔口。
- Banned 禁止 Otherwise, it may cause electric shock.
會導致觸電。

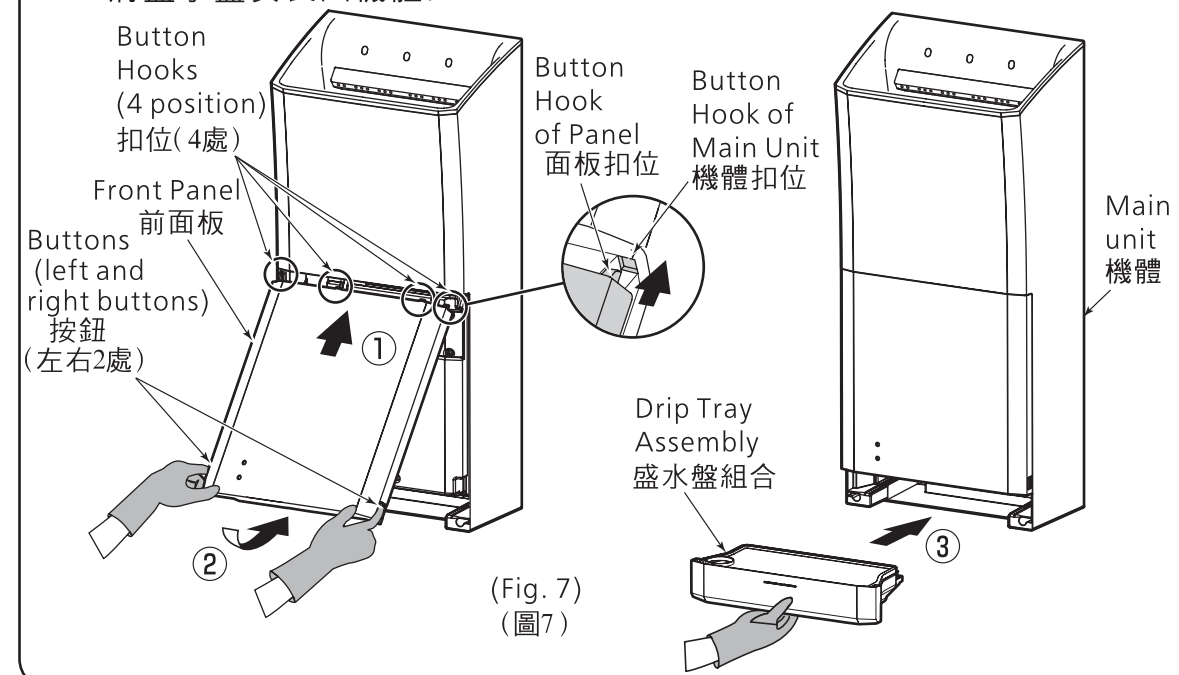
4. Settings of Air Volume, Heater and Lighting
風量·加熱器·照明的設定



- Generally, the air volume is set to [Strong], the heater to [On], and the lighting to [On].
通常請將風量設定為[強]，加熱器設定為[開]，照明設定為[開]進行使用。
- If you think the operation sound is too loud, switch the air volume to [Weak].
如果覺得運轉音較大，可將風量切換為[弱]。
- If you do not need warm air, switch the heater to [Off].
如果不需要溫風，可將加熱器切換為[關]。
- If you do not need the lighting in the drying chamber, switch the lighting to [Off].
如果不需要乾燥室內的照明，可將照明切換為[關]。

5. Install the Front Cover
安裝前蓋

- ① Insert the button hooks (4 position) of the front cover into the button hooks of the main unit.
將前蓋扣位(4處)插入機體扣位。
- ② Fix the front cover onto the main unit.
將前蓋固定於機體。
- ③ Install the drip tray back into the main unit.
將盛水盤安裝回機體。

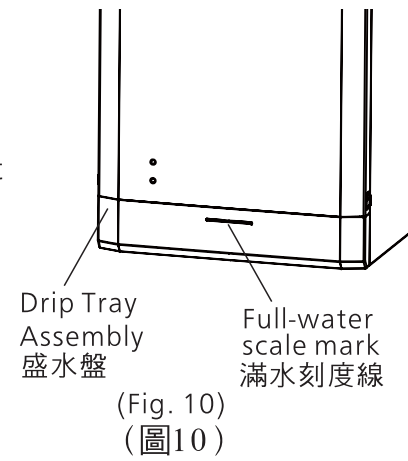


(Fig. 7)
(圖7)

PRECAUTIONS 注意事項:

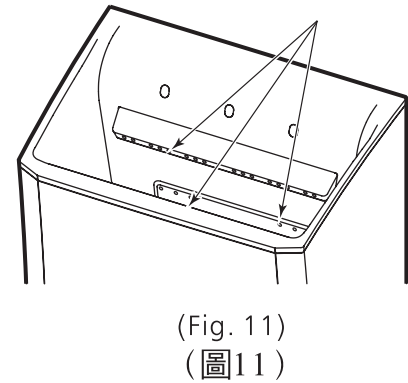
1. Water in the drip tray must be discharged before exceeding the full-water scale mark. (If the unit has not been used for a long time, the water may produce odor and may spill out to wet the ground.) (Fig. 10)

盛水盤裡的水須在其高出滿水刻度線之前倒掉。
(如長時間放置，會有異味並且可能會溢出弄濕地面)(圖10)



2. Do not block the air outlet. (Fig. 11)
切勿堵塞出風口。(圖11)

Air outlets (two each in the front and back of the drying chamber)
出風口(乾燥室的前、後各2排)



3. Avoid chemicals getting into contact with the main unit.
切勿用化學品接觸機身。
4. To prevent electromagnetic interference, do not place or turn on a radio near the product. The affecting distance depending on reception of the radio.

請勿在距離產品太近的地方擺放及開收音機，以免引起電磁干擾，受影響的距離視收音機的接收情況而異。

5. Do not install the unit in the following places:
切勿安裝在以下場所:

- Places below 0°C
0°C 以下的場所
- Places above 40°C
40°C 以上的場所
- Places exposed to direct sunlight and strong light
日光、強光照射到的場所
- Outdoors
室外
- Places where water may be spilled over it
易濺到水的場所
- Dusty places
灰塵多的場所

- ◆ Install it on a concrete wall.
安裝於混凝土牆上。

- ① Choose a position on the wall for installing the suspension iron plate, and confirm the position of the hook on the main unit. (There are totally 6 installation holes, but you just need to use 4.)
在牆上選出安裝懸掛鐵片的地方，並確定機身體掛鉤的位置。
(共有6個安裝孔眼，只需用4個)

- ② Drill the bottom holes with impact drill on the wall, insert the plastic plugs (Optional), and fix the suspension iron plate with screws.
用衝擊鑽在牆上鑽出底孔，裝入膠塞(自購)，用螺絲固定懸掛鐵片。

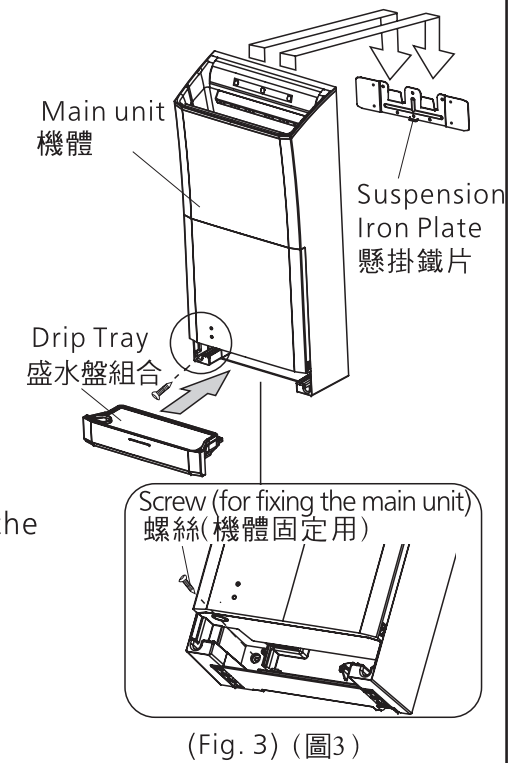
2. Fix the main unit on the suspension iron plate, and tighten the screws to fix the main unit. (Fig. 3)
將機體固定於懸掛鐵片上，並安裝機體固定螺絲。(圖3)

- ① Pull out the drip tray assembly under the main unit.
將機體下面的盛水盤組合拉出。

- ② Fix the main unit on the suspension iron plate.
將機體固定於懸掛鐵片上。

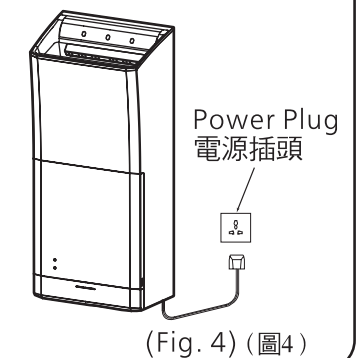
- ③ Fix the main unit on the wall with the supplied screws.
用所附的螺絲將機體固定於牆上。

- ④ Install the drip tray assembly back into the main unit.
將盛水盤組合重新裝回機體。



3. Settings before Use
使用前設置

1. Insert the power plug into the socket. (Fig. 4)
Bundle up the overlong power cord and keep it at a proper place.
將電源插頭插入插座。(圖4)
請將過長的電源線捆扎放於適當的位置。



ROUTINE USE AND MAINTENANCE

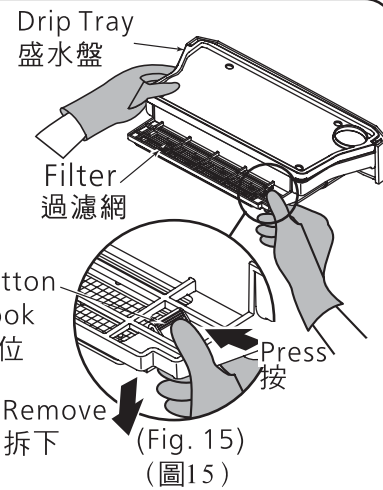
日常使用及維護

3 Remove the filter from the drip tray, and suck the dust with vacuum cleaner. (Fig. 15)

將過濾網從盛水盤中取下，用吸塵器將灰塵吸掉。(圖15)

Do not clean it with water because water may damage the filter's antibacterial property; do not clean it with steel ball or other rigid tools to prevent breaking the filter.

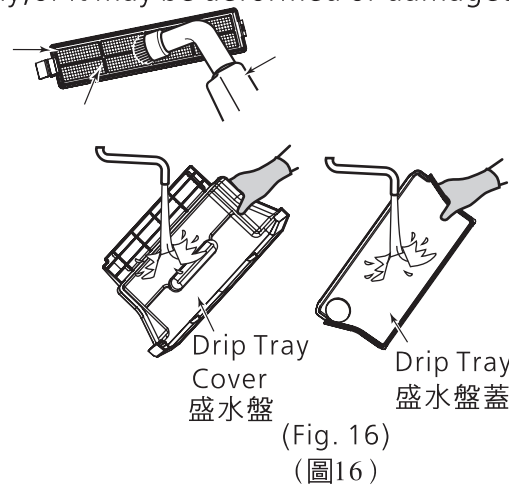
- 不可用水清洗，因為水會破壞過濾網的抗菌性能；不可用鋼絲球或其它硬質工具來清潔以免把過濾網弄破。
- Do not press the net of the filter forcibly, or it may be deformed or damaged. 不可用力按壓過濾網的網，否則可能會變形、受損。



4 Wash the drip tray and the drip tray cover with water. (Fig. 16)

用水沖洗盛水盤·盛水盤蓋。(圖16)

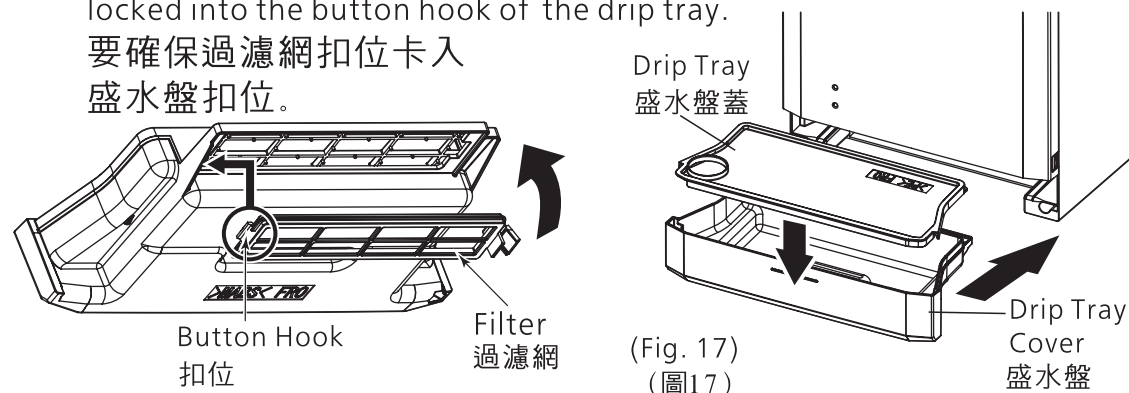
- If it has too much filth, clear it with a soft cloth. 若污垢積聚較多請用軟布抹掉。
- Sop up the water after cleaning. 清潔後請擦乾水。



5 Reinstall the drip tray and the filter, and put them back into the main unit. (Fig. 17)

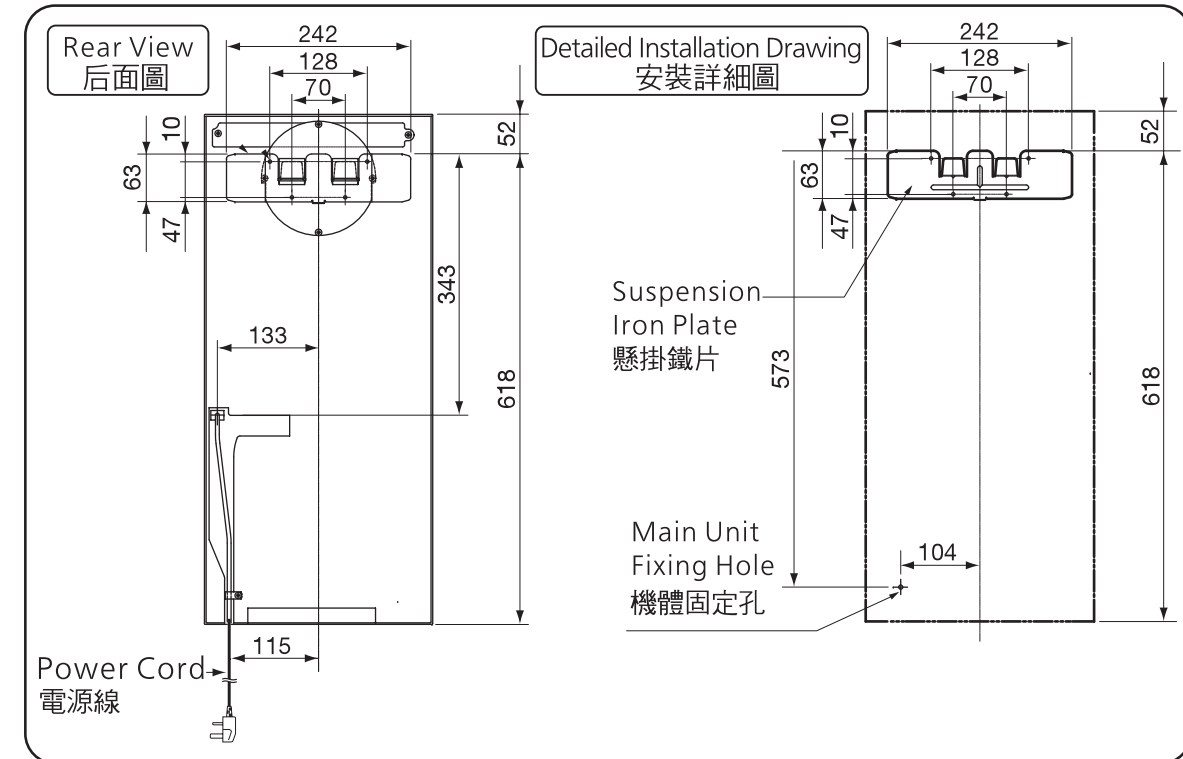
將盛水盤、過濾網重新安裝後，放回機體。(圖17)

- Make sure the button hook of the filter is locked into the button hook of the drip tray. 要確保過濾網扣位卡入盛水盤扣位。



PART NAME AND DIMENSIONS

部件名稱及尺寸



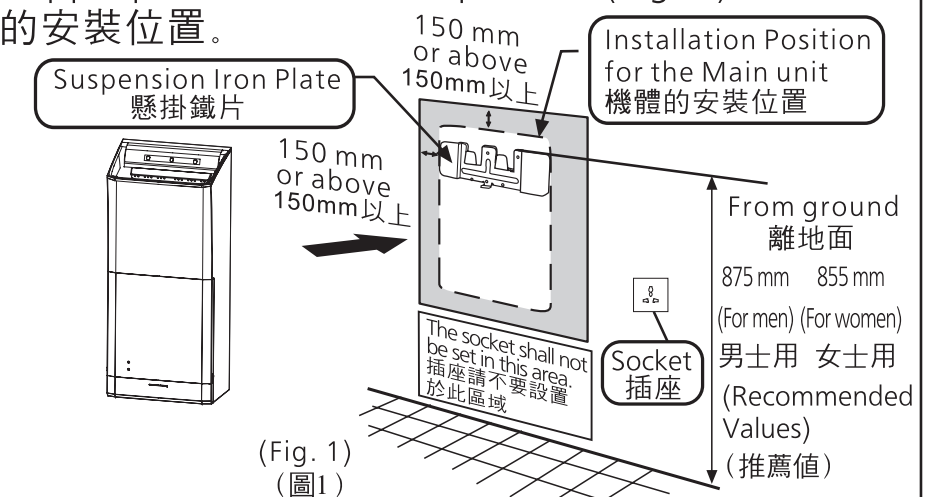
INSTALLATION OUTLINE

安裝方法

1. Preparations 安裝前準備

1. Choose an appropriate installation position (Fig. 1)

選擇合適的安裝位置。(圖1)



① Installation position for the suspension iron plate shall be secure and reliable. Try to choose an erective wall if possible, and make sure the main unit installation position and its surrounding 100 mm are on an erective plane.

懸掛鐵片的安裝位置應選擇一個牢固可靠的地方，並盡可能選擇豎直的牆身，確保機體安裝位置及其四周100mm的範圍為一豎直的平面。


ANTIBACTERIAL FUNCTION

抗菌功能

1. Filter of the drip tray assembly in the hand dryer is capable of antibiosis.
(Test basis: JIS Z2801:2000)
乾手機盛水盤組合中的過濾網具有抗菌功能。
(檢測依據: JIS Z2801:2000)
2. Drying chamber, drain, drip tray and drip tray cover in the main unit are capable of antibiosis.
(Test basis: JIS Z2801:2000)
機體中的乾燥室、排水道、盛水盤、盛水盤蓋具有抗菌功能。
(檢測依據: JIS Z2801:2000)
3. Along with increase of service time, the above antibacterial function will weaken correspondingly.
隨著使用時間的增加，以上抗菌性能會相應減弱。

SAFETY INSTRUCTIONS Be sure to follow them

安全指引 請務必遵守

	This sign indicates prohibited actions. 此標誌表示為禁止事項
	This sign indicates mandatory actions. 此標誌表示為強制事項
	This sign indicates tips for precautions. 此標誌表示為提示注意事項

INSTALLATION SAFETY INSTRUCTIONS 安裝注意事項

**Warning**
警告

- Do not modify this product.
禁止改裝本產品。
 It may cause fire or malfunction, thus resulting in fire disaster or electric shock.
導致著火或操作異常，從而引起火災或觸電。
Modification banned
改裝禁止
- Do not install this product wherever it may be exposed to inflammable gas or objects.
切勿將本產品安裝於有易燃氣體或物品的環境。
 It may cause explosion or fire.
會引起爆炸或火災。
Banned
禁止
- Do not install this product outdoors or on the outer wall of any building.
切勿將本產品安裝在室外或建築物外牆。
 It will cause short circuit, thus resulting in fire or electric shock.
會導致短路，引起火災或觸電。
Banned
禁止
- Do not install this product under high temperature, under high humidity or in a bathroom or other places where the main unit may be wet.
切勿將本產品安裝在高溫、潮濕或會弄濕機身的地方，例如浴室。
 It will cause short circuit, thus resulting in fire or electric shock.
會導致短路，引起火災或觸電。
Banned
禁止
- Be sure to properly install the hand dryer as instructed in the manual.
須按照本說明書的指示將乾手機安裝妥當。
 Failure to install properly will result in fire or electric shock.
安裝錯誤會導致火災或觸電。
- Screws of the suspension iron plate or hooks on the main unit shall not connect with any metal on or inside the wall during installation.
安裝時，懸掛鐵片的螺絲或機身掛鉤切勿與牆上或牆身內的金屬連接。
 Otherwise, short circuit may occur, and thus resulting in fire.
若懸掛鐵片的螺絲或機身掛鉤與任何金屬、電線或不鏽鋼板連接，都有可能導致短路，從而引起火災。
- Make sure the installation is completed by a qualified electrician.
請確保安裝工作由合格的電工進行。
 Otherwise, it may cause personal injury.
否則有可能會導致受傷。