

Panasonic

Operating Instructions

使用説明書

사용 설명서

คู่มือการใช้งาน

AC/Rechargeable Shaver

交流 / 充電式 刮鬍刀

AC/ 충전식 면도기

เครื่องโกนหนวดไฟฟ้าแบบชาร์จ

Model No.

型號

모델 번호 ES6013/ES6016

หมายเลขรุ่น

English 2

中文 9

한글 14

ไทย 21

Before operating this unit, please read these instructions completely.

使用此產品前，請先閱讀此說明書。

이 기기를 사용하기 전에 먼저 본 설명서를 자세히 읽어 주십시오.

โปรดอ่านคู่มือนี้โดยละเอียดก่อนการใช้งาน



Safety Instructions

To ensure proper operation of the appliance, please carefully read all information contained in these Safety Instructions.

All information in this section is provided to instruct you in the correct and safe operation of this appliance so that you can avoid injuries to yourself and others as well as damage to property.

Safety warnings, cautions and precaution symbols are distinguished as follows.

ALWAYS FOLLOW THESE IMPORTANT SAFETY PRECAUTIONS!

⚠️WARNING:

This message indicates potentially hazardous actions and situations, which, if not avoided, could result in death or serious injury.

⚠️CAUTION:

This message indicates potentially hazardous actions and situations, which, if not avoided, could result in personal injury or property damage.

Safety Precautions Symbols

⊘ A circle and slash symbolizes prohibited actions and behaviors.

● A solid circle denotes mandatory actions and instructions to be followed for safe operation.

After reading these safety instructions, ensure they are kept in a place allowing easy viewing at all times by the appliance user.

⚠️WARNING

🔌Unplug!

● **Always turn off the 0/1 switch and unplug the power cord/adaptor from the household outlet before cleaning and maintenance.**

Failure to do this may cause electric shock or personal injury. Never plug or unplug the power cord/adaptor with wet hands.

⚠️Mandatory!

● **Always ensure the appliance is operated on an electric power source matched to its rated voltage.**

Failure to do so can result in fire or electric shock.

● **Regularly clean the cord connector, which plugs into the appliance, to keep it free of dust and foreign objects such as pins, etc.**

Failure to do so could result in deterioration of the electrical insulation and cause fire.

⊘Prohibited!

● **Never operate the appliance if the cord or adaptor are damaged or overly hot, or if the adaptor fits loosely in the household outlet.**

Doing so could result in short-circuiting, electric shock or fire.

● **Do not modify the cord or damage it in any way such as by bending, twisting or pulling on it unnecessarily.**

Doing so could result in electric shock or fire.

● **Do not clean with water when the shaver is connected to the power cord.**

Doing so could result in electric shock.

⊘Do not dismantle!

● **Do not attempt to modify, repair, or in any way dismantle the appliance, other than when discarding it at the end of its useful life.**

Doing so could result in fire, electric shock or mechanical malfunction.

For repairs and servicing, please consult the place of purchase or a customer service center designated by the manufacture.

⊘Avoid water contact!

● **Do not allow the power cord to be immersed in, splashed with, or rinsed under water.**

Doing so could result in electric shock or short-circuiting

⚠️CAUTION!

⚠️Mandatory!

● **Before use, always make sure that the outer foil has not become damaged or misshapen.**

Failure to do so can cause damage to skin.

● **Dry the shaver completely before charging it.**

Failure to do so could result in short-circuiting, electric shock or fire.

● **Grip the adaptor when disconnecting the adaptor from a receptacle; tugging on the cord may damage it.**

● **Do not use other AC adaptors or power cords to supply power to the appliance. Also, do not use the included power cord to supply power to other electrical products.**

Doing so may result in electric shock, short-circuit, or fire.

● **Always use your shaver for its intended use, as described in this manual.**

Failure to do so can cause personal injury or mechanical malfunction.

- **Do not allow the appliance to be used by, on, or near children.**

Doing so could result in burns, electric shock or fire.

⊘ **Prohibited!**

- **Do not apply excessive pressure to the outer foil.**

Doing so may break the foil, resulting in scratching of the skin.

- **When cleaning the shaver or changing the blades, be sure to set the 0/1 switch off.**

Failure to do so may result in injury.

- **Do not use under the following circumstances.**

- People with sensitive skin or skin which is easily irritated.

- Allergic constitution

- If there are pimples or bumps on the skin:

Doing so can cause damage to skin.

NOTICE

- **Do not leave the shaver in direct sunlight to dry with the outer foil removed.**

Doing so may cause deterioration of the waterproof seal, which could result in malfunction.

- **Wash the shaver in tap water. Do not use salt water or boiling water. Also, do not use cleaning products that are designed for toilets, bathrooms or kitchen appliances. Do not submerge the shaver for a long time.**

- **Do not charge the shaver where the temperature is below 0°C (32°F) or above 35°C (95°F), where it will be exposed to direct sunlight or a heat source, or where there is a lot of moisture.**

- **If it is far below or over the appropriate temperature, the charging time may extend, or the adaptor may not function.**

- **In particular, low temperature may shorten the life span of the rechargeable battery.**

- **Use only the included adaptor RE7-34 (Taiwan: RE7-35) to charge the ES6013 shaver.**

- **Use only the included adaptor RE7-32 (South Korea: RE7-56) to charge the ES6016 shaver.**

- **Keep the adaptor away from water and handle it only with dry hands. Do not use an extension cord to connect the adaptor to an outlet.**

- **The shaver may not immediately begin to charge even if the power cord/adaptor is plugged after use. Leave it for a few minutes and check again to make sure that it is being charged.**

- **Store the adaptor in a dry area where it will be protected from damage.**

- **The outer foil is very thin. If handled improperly, it can be easily damaged. To avoid personal injury, do not use the shaver if it has a damaged foil or inner blade.**

- **Do not take the housing apart as this can affect the watertight construction.**

- **Do not pull, twist, or severely bend the power cord.**

- **Do not wrap the power cord tightly around the appliance.**

- **In cases where static noise is emitted from the television during use or charging connect the adaptor to different outlet.**

- **The shaver and adaptor will become slightly hot during use or charging, however this is not a malfunction.**

- **Do not touch the edge (metal part) of the inner blade. Failure to observe this may lead to hand injuries.**

- **When cleaning the shaver with water, do so with both the inner blades attached. (Doing so with only one of the inner blades attached makes an abnormal noise and may damage the shaver.)**

- **Keep these operating instructions in a safe place.**

- **Contact an authorized service center if you have any questions about maintenance service, inquiry, etc.**

Warning / Caution

► Warning

Charge the appliance correctly according to these Operating Instructions. (See page 5 "Charging".)

This appliance contains battery that is only replaceable by skilled persons. Please contact an authorized service center for the details of repair.

Do not immerse the AC adaptor in water or wash it with water. Do not use anything other than the supplied AC adaptor for any purpose.

Also, do not use any other product with the supplied AC adaptor. (See page 5.)

The following symbol indicates that a specific detachable power supply unit is required for connecting the electrical appliance to the supply mains. The type reference of power supply unit is marked near the symbol.



The mark on the left is for a washable shaver and indicates it can be cleaned with water.

► Using the shaver

Caution - The outer foil is very thin and can be damaged if not used correctly. Check that the foil is not damaged before using the shaver. Do not use the shaver if the foil etc. is damaged as you will cut your skin.

► Charging the shaver

Do not use any power cord or AC adaptor other than one specifically designed for this model. Plug in the adaptor into a household outlet where there is no moisture and handle it with dry hands. The shaver may become warm during use and charging. However, this is not a malfunction. Do not charge the

shaver where it will be exposed to direct sunlight or other heat sources. Hold the adaptor when disconnecting it from the household outlet. If you tug on the power cord, you may damage it. The supply cord cannot be replaced. If the cord is damaged, the appliance should be scrapped.

Adequate ambient temperature for charging is 0 - 35 °C.

► Cleaning the shaver

Warning - Disconnect the power cord from the shaver before cleaning it to prevent electric shock.

Keep both the inner blades inserted. If only one of the inner blades is inserted, the shaver may be damaged. If you clean the shaver with water, do not use salt water or hot water. Do not soak the shaver in water for a long period of time. Wipe it with a cloth dampened with soapy water. Do not use thinner, benzine or alcohol.

► Storing the shaver

Disconnect the power cord when storing the shaver. Do not bend the power cord or wrap it around the shaver. This appliance is not intended for use by persons (including children) with reduced physical, sensory or mental capabilities, or lack of experience and knowledge, unless they have been given supervision or instruction concerning use of the appliance by a person responsible for their safety. Children should be supervised to ensure that they do not play with the appliance. Keep these operating instructions in a safe place.

SPECIFICATIONS

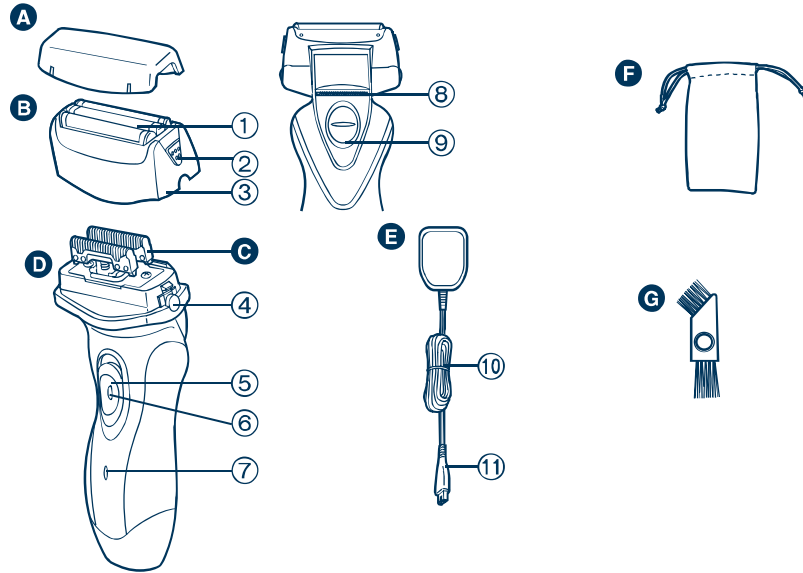
Power source: See the name plate on the product.
(Automatic voltage conversion)

Motor voltage: 2.4 V DC

Charging time: 1 hour **ES6016**, 8 hours **ES6013**

This product is intended for household use only.

Parts identification



- | | |
|---|--|
| A Protective cap | ⑨ Trimmer handle |
| B Outer foil section | E Adaptor
(RE7-34, Taiwan: RE7-35
ES6013)
(RE7-32, South Korea:
RE7-56 ES6016)
[The image above is for
ES6013.] |
| ① System outer foil | ⑩ Power cord |
| ② System outer foil release
buttons | ⑪ Appliance plug |
| ③ Foil frame | F Travel pouch |
| C Inner blades | G Cleaning brush |
| D Main body | |
| ④ Foil frame release buttons | |
| ⑤ 0/1 switch | |
| ⑥ Switch lock button | |
| ⑦ Charge indicator lamp | |
| ⑧ Trimmer | |

Charge

Charging

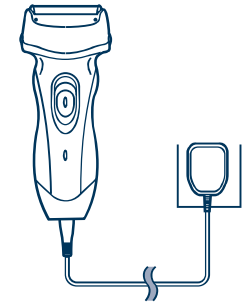
Perform the following steps to charge the shaver if it seems to lose the speed.

ES6016 You can fully charge the shaver in 1 hour.

A full charge will supply enough power for approx. 14 shaves of 3 minutes each.

ES6013 8 hours charge will supply enough power for about 10 shaves.

- 1** Insert the appliance plug into the shaver.
- 2** Plug in the adaptor into a household outlet.



► Cord shaving

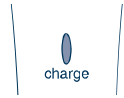
If you insert the appliance plug to the shaver and plug in the adaptor into a household outlet, you can use it even if the battery capacity is low.

- If the shaver does not work, continue charging it for approx. 1 minute.

About the lamp

While charging

ES6013



ES6016



Glows red.

After charging is completed

ES6013



ES6016

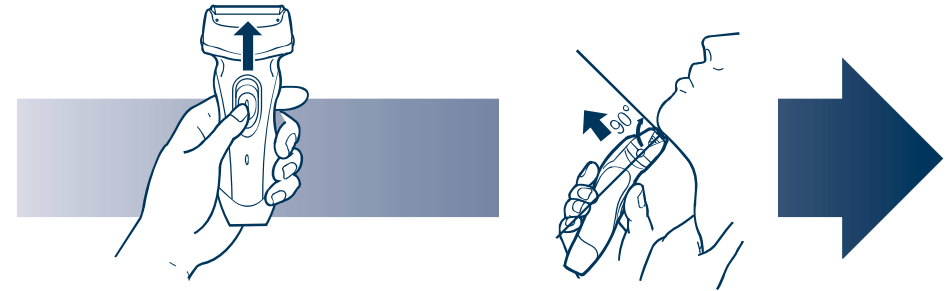


The charge indicator lamp glows and stays on until the adaptor is disconnected from a household outlet.

Blinks once every second.

Shave

Using the shaver



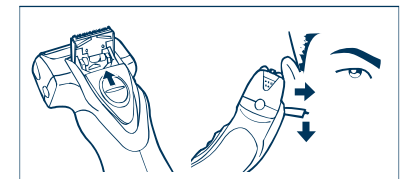
1 Depress the switch lock button and slide the 0/1 switch upwards.

2 Hold the shaver as illustrated above and shave.

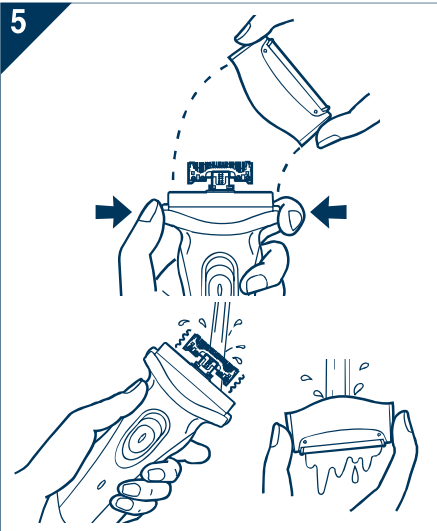
- Start out shaving by applying gentle pressure to your face. Stretch your skin with your free hand and move the shaver back and forth in the direction of your beard. You may gently increase the amount of pressure as your skin becomes accustomed to this shaver. Applying excessive pressure does not provide a closer shave.

► Using the trimmer


Slide the trimmer handle up. Place at a right angle to your skin and move downwards to trim your sideburns.



Cleaning the shaver



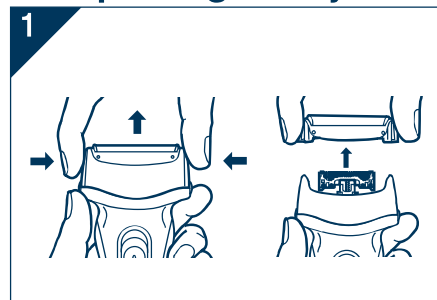
1. Disconnect the power cord from the shaver.
2. Apply some hand soap and some water to the outer foil.
3. Turn the shaver on.
4. Turn the shaver off after 10-20 seconds.
5. Remove the outer foil section and turn the shaver on.
6. Clean the shaver and the outer foil section with running water.
7. Wipe off any drops of water with a dry cloth.
8. Dry the outer foil section and the shaver completely.
9. Attach the outer foil section to the shaver.

 The mark on the left is for a washable shaver and indicates it can be cleaned with water.

Replacing the system outer foil and the inner blades

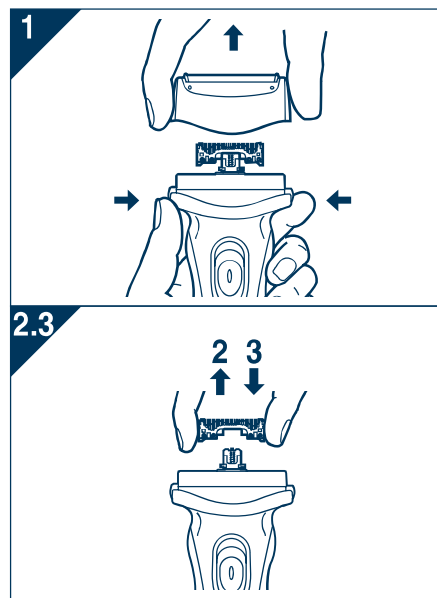
system outer foil	once every year
inner blade	once every two years

▶ Replacing the system outer foil



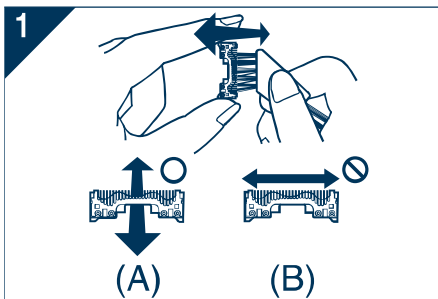
1. Press the system outer foil release buttons and lift the system outer foil upwards as illustrated.
2. Insert the system outer foil by pushing it downwards until it clicks.

▶ Replacing the inner blades



1. Press the foil frame release buttons and lift the outer foil section upwards as illustrated.
2. Remove the inner blades one at a time as illustrated.
 - Do not touch the edges (metal parts) of the inner blades to prevent injury to your hand.
3. Insert the inner blades one at a time until they click as illustrated.

Cleaning with the brush



1. Clean the inner blades using the short brush by moving it in direction (A). Clean the system outer foil, the shaver body and the trimmer using the long brush.
 - Do not move the short brush in direction (B) as it will damage the inner blades and affect their sharpness.
 - Do not use the short brush to clean the outer foils.

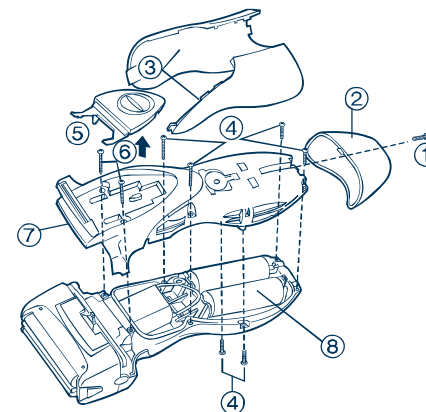
Removing the built-in rechargeable batteries

Remove the built-in rechargeable batteries before disposing of the shaver.

The battery is to be disposed of **safely**.

Please make sure that the batteries are disposed of at an officially designated location if there is one. Do not dismantle or replace the batteries so that you can use the shaver again. This could cause fire or an electric shock. Replace them at an authorized service center.

- Disconnect the power cord from the shaver when removing the batteries.
- Perform steps ① to ⑧ and lift the batteries, and then remove them.



For environmental protection and recycling of materials

ES6016 contains Nickel-Metal Hydride batteries.

ES6013 contains Nickel-Cadmium batteries.

Please make sure that the batteries are disposed of at an officially assigned location, if there is one in your country.

警告 / 注意


▶ 警告

根據使用說明書將產品正確充電。(請參閱第 10 頁「充電」。) 本產品包含僅能交由技術熟練的人員更換的電池。如需詳細的維修資訊，請洽詢授權維修中心。切勿將電源供應器浸在水中或用水洗滌。除了隨產品附上的電源供應器外，切勿使用其他電源供應器作任何用途。此外，隨產品附上的電源供應器切勿用於任何其他產品。(請參閱第 10 頁。) 下列符號表示需使用專用的可拆式電源供應器，將本電器連接至主電源。符號附近標示了電源供應器的類型參考。



左邊的標誌是為可清洗的刮鬍刀而設，表示刮鬍刀可用清水清潔。


▶ 使用刮鬍刀

 小心 - 外層網面是很薄的，如使用不當可能會破壞網面。請在使用前檢查網面有否受損。如網面受損，請勿使用刮鬍刀，因可能會弄傷您的皮膚。

▶ 為刮鬍刀充電

除了本型號專用的電源線和充電器外，請勿使用其他電源線和充電器。以乾手把充電器插入乾爽的家居電插座。刮鬍刀可能在使用時及充電時輕微發熱，但這不是故障。刮鬍刀直接暴露在陽光或其他熱源時，切勿充電。從家居電插座拔掉充電器時，請以手抓緊。如您拉扯電源線，可能會因而破壞電源線。不能更換電源線。如果電源線損壞，應當廢棄本產品。理想的充電溫度為 0-35°C。

▶ 清洗刮鬍刀

 警告 - 清洗刮鬍刀前，請從刮鬍刀拔掉電源線以防觸電。將內層刀片保持在原有位置。如只有一塊內層刀片，刮鬍刀可能已經受損。如您以水清洗刮鬍刀，請勿使用鹽水或熱水。切勿將刮鬍刀長時間浸泡於水中。請以肥皂水浸濕的毛巾擦拭刮鬍刀。切勿使用稀釋劑、揮發油或酒精清潔。

▶ 儲存刮鬍刀

儲存刮鬍刀時，請從刮鬍刀拔掉電源線。切勿折曲電源線或把電源線環繞刮鬍刀。患有體能、感官或智力減退，或缺乏經歷和知識之人士（含小孩），在無人監護或未獲告知如何使用的情況下不得使用本產品。請勿讓小孩使用本產品。請將此使用說明書放於安全的位置。

緊急處理方法：

使用中，本產品若有冒煙或火花情形時，請立即關閉電源及拔掉插頭。並立即通知本公司服務單位維修，以便查明原因。

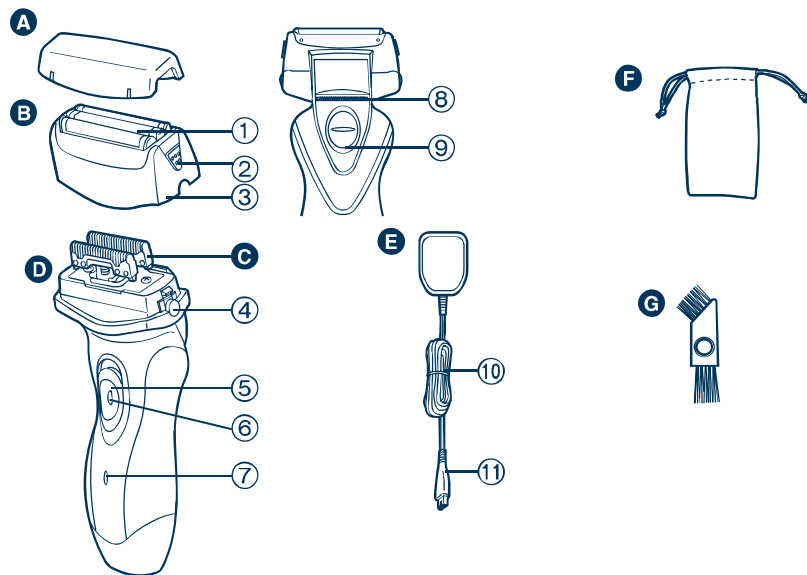
規格

電源：100 - 240 V 50 - 60 Hz
〔 僅限台灣 110 - 240 V 〕
〔 自動變壓 〕

發動機電壓：2.4 伏特直流電

充電時間：約 1 小時 **ES6016**，約 8 小時 **ES6013**
此產品只適於家居內使用。

部件說明



- A** 保護蓋
- B** 外層網面部分
 - ① 外層網面
 - ② 拆除外層網面的按鈕
 - ③ 網層
- C** 內層刀片
- D** 主體
 - ④ 網層拆除按鈕
 - ⑤ 0/1 按鈕
 - ⑥ 按鈕上鎖鍵
 - ⑦ 充電狀態指示燈
- E** 充電器
(RE7-34, 臺灣: RE7-35
ES6013)
(RE7-32, 南韓: RE7-56
ES6016)
[以上圖示用於 ES6013。]
- ⑩ 電源線
- ⑪ 電源線插頭
- F** 輕便旅行袋
- G** 清潔毛刷

充電

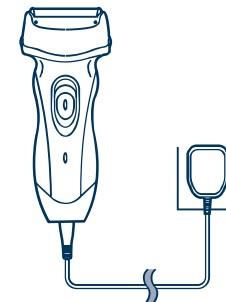
充電中

若感覺刮鬍刀速度下降，請按下列方式給刮鬍刀充電。

ES6016 您的刮鬍刀可以在 1 個小時內完全充電。
在滿電的情況下，刮鬍刀可大約操作 14 次，每次 3 分鐘。

ES6013 充電 8 小時可供刮鬍刀操作約 10 次。

- 1** 將電源線插頭插入刮鬍刀。
- 2** 將充電器插入家居插座。



▶ 插電刮鬍

即使電池電量低的時候，您仍可將電源線插頭接上刮鬍刀，然後插上家居插座來操作。

- 如未能操作刮鬍刀，請繼續充電約一分鐘。

關於指示燈

充電時

ES6013



ES6016



亮紅色。

充電完成後

ES6013



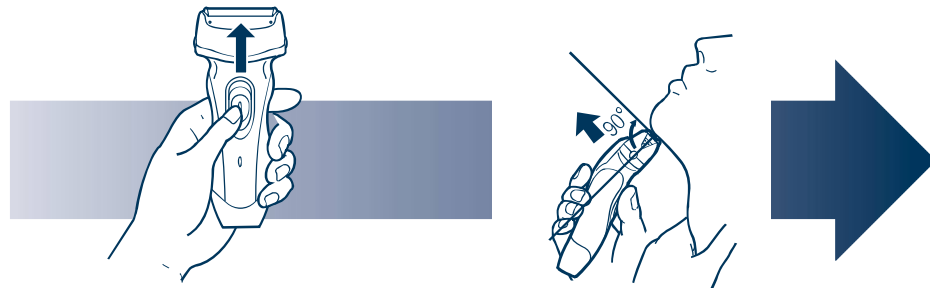
ES6016



充電指示燈會持續亮燈，直到從家居電插座拔下充電器為止。
每秒閃爍一次。

刮鬍

使用刮鬍刀

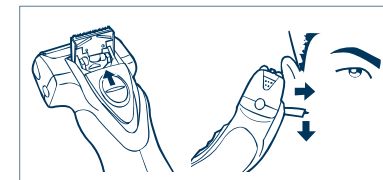


- 1 壓下按鈕上鎖鍵，然後將 0/1 按鈕向上推。
- 2 依照上圖示握著刮鬍刀操作。

• 將刮鬍刀輕輕按壓在您的臉上。以另一隻手按著皮膚，並以刮鬍刀來回刮鬍。當您習慣了這力道後，可慢慢加壓。過度加壓未必可刮得更徹底。

► 使用修剪器

將修剪器手柄推起。放於與皮膚成直角的位置，向下推動即可修剪鬚角。

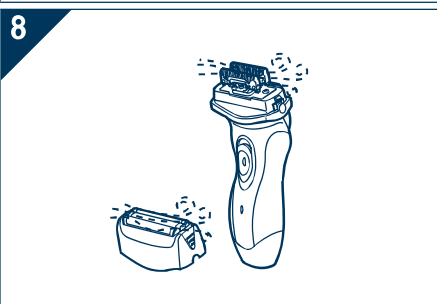
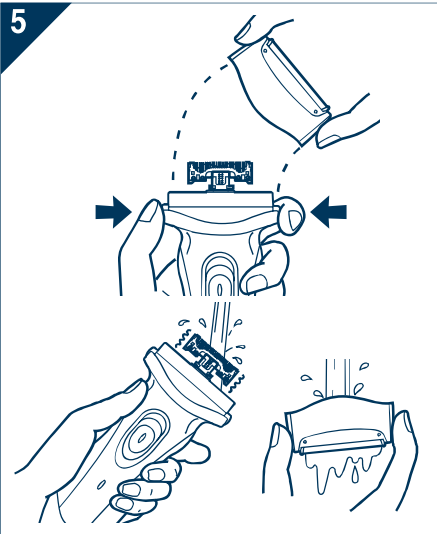


文
冊

清洗刮鬍刀



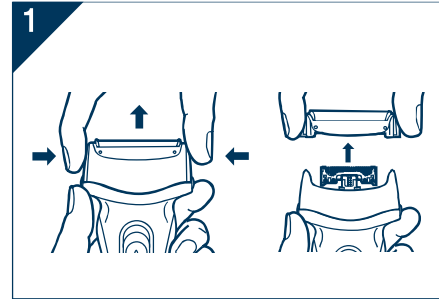
1. 從刮鬍刀拔掉電源線。
2. 在外層網面上塗抹一些肥皂和水。
3. 打開刮鬍刀電源。
4. 10-20 秒後，關掉刮鬍刀。
5. 取出外層網面並打開刮鬍刀電源。
6. 用流水清潔刮鬍刀和外層網面。
7. 用乾布擦去水滴。
8. 讓外層網面部分和刮鬍刀完全乾透。
9. 把外層網面部分安裝至刮鬍刀。



更換外層網面及內層刀片

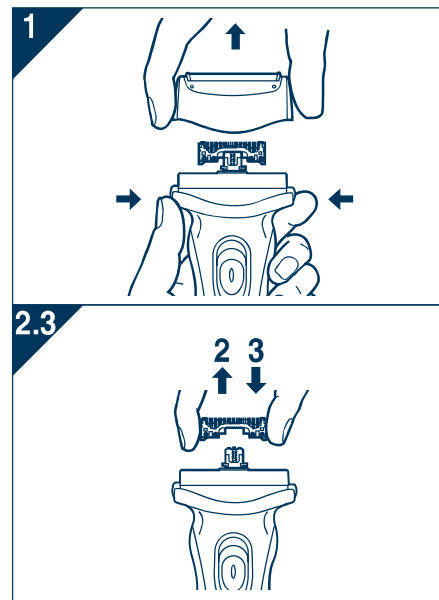
外層網面	每年一次
內層刀片	每兩年一次

► 更換外層網面



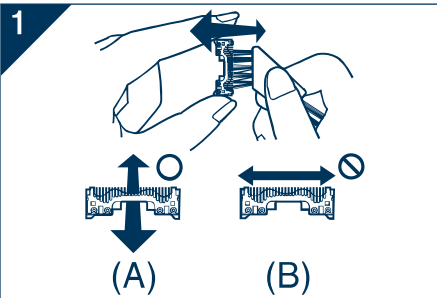
1. 依圖示，按著按鈕並拉起。
2. 把外層網面推下直至發出一聲“卡嗒”。

► 更換內層刀片



1. 依圖示，按著網層拆除按鈕並向上提起外層網面部分。
2. 依圖示，一下拆掉內層刀片。
 - 切勿觸摸刀鋒（金屬部分）以免受傷。
3. 依圖示，一下插入內層刀片直至發出一聲“卡嗒”。

以毛刷清潔



1. 利用毛刷依著 (A) 方向來清潔內層刀片。
利用長刷來清潔外層網面、刮鬍刀機身及修剪器。
 - 切勿以 (B) 方向來使用短刷，因此舉會損耗內層刀片，令刀片不鋒利。
 - 切勿以短刷清潔外層網面。

拆除內置充電電池

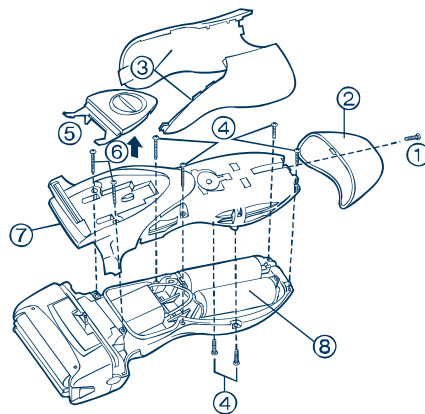
此刮鬍刀內的電池不應由消費者自行替換。

必須安全地丟棄電池。

但是、電池可由 Panasonic 認可服務中心進行替換。

下列的程序只適用於正確棄置電器前，把內置充電電池拆出。

- 拆除電池的時候，先從刮鬍刀拔掉電源線。
- 執行步驟 ① 至 ⑧ 以拉出並拆除電池。



廢電池請回收

只限於台灣

環保及循環再用物資

ES6016 內藏鎳氫電池。

ES6013 內藏鎳鎘電池。

如您的國家有指定認可棄置電池的地方，請確保將電池棄置於這些地方。

製造商：Panasonic Corporation

生產國別：中國

進口商：台松電器販賣股份有限公司（僅限台灣）

公司地址：台北縣中和市建六路 57 號

連絡地址：台北縣中和市員山路 579 號

連絡電話：(02)2223-5121