



櫥櫃底面位置 (推薦位置)

此為按圖示安裝方法時櫥櫃的推薦位置，若與產品頂面位置小於60mm時，將會造成安裝困難或不能夠安裝，若大於60mm，吸油煙機頂部位置與櫥櫃的間隙將變大，兩者最小間隙約為40mm。

## Accessory

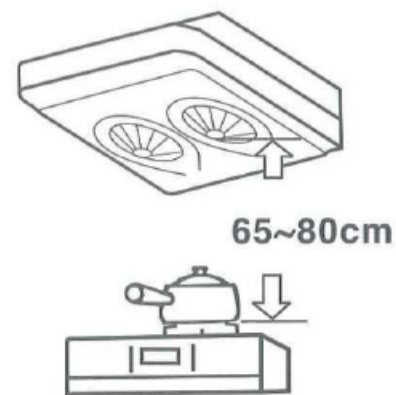
## 附件

Product upper position  
產品頂面位置

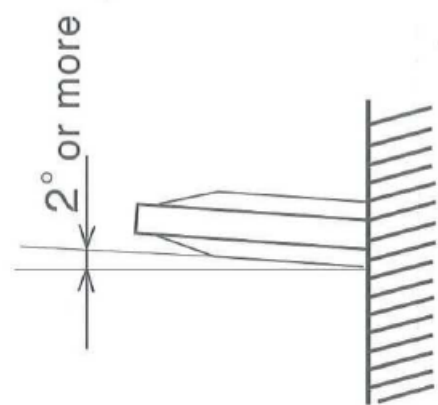
①		Screws for fixing the duct adapter 固定導煙管接頭用的螺絲釘	4
②		Anchor Bolt for installing Range Hood 安裝抽油煙機用的爆炸螺絲	2
③		Plastic plug 塑膠管	1
④		Wood Screw 木螺絲	1

## Installation warnings

## 安裝時的注意事項



65~80cm



**Warning:** Use anchor bolts for installation otherwise product may drop.

**警告：** 安裝時應使用爆炸螺絲，否則抽油煙機可能會跌落。

**Caution:** Check whether the range hood is tilted from back to front at 2° or more.

**小心：** 完成安裝後檢查抽油煙機是否向後傾斜 2°或以上。

Installation height should be within 65cm to 80cm from hob surface to the lowest part of range hood.  
請安裝在從煤氣灶面到抽油煙機最底部為 65~80 厘米的位置！

Check whether the range hood is installed securely and keep horizontally between left side and right side.  
請確認是否安裝牢固並保持左右水平！

# FV-713N Installation template 安裝模板

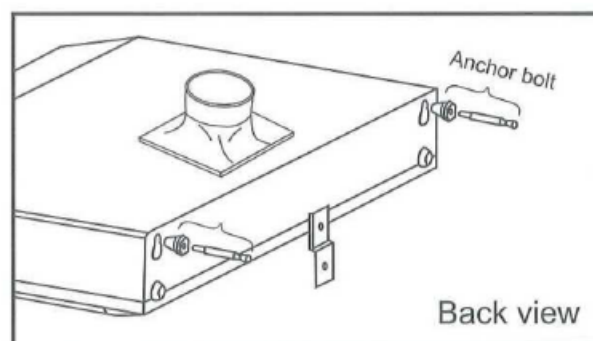
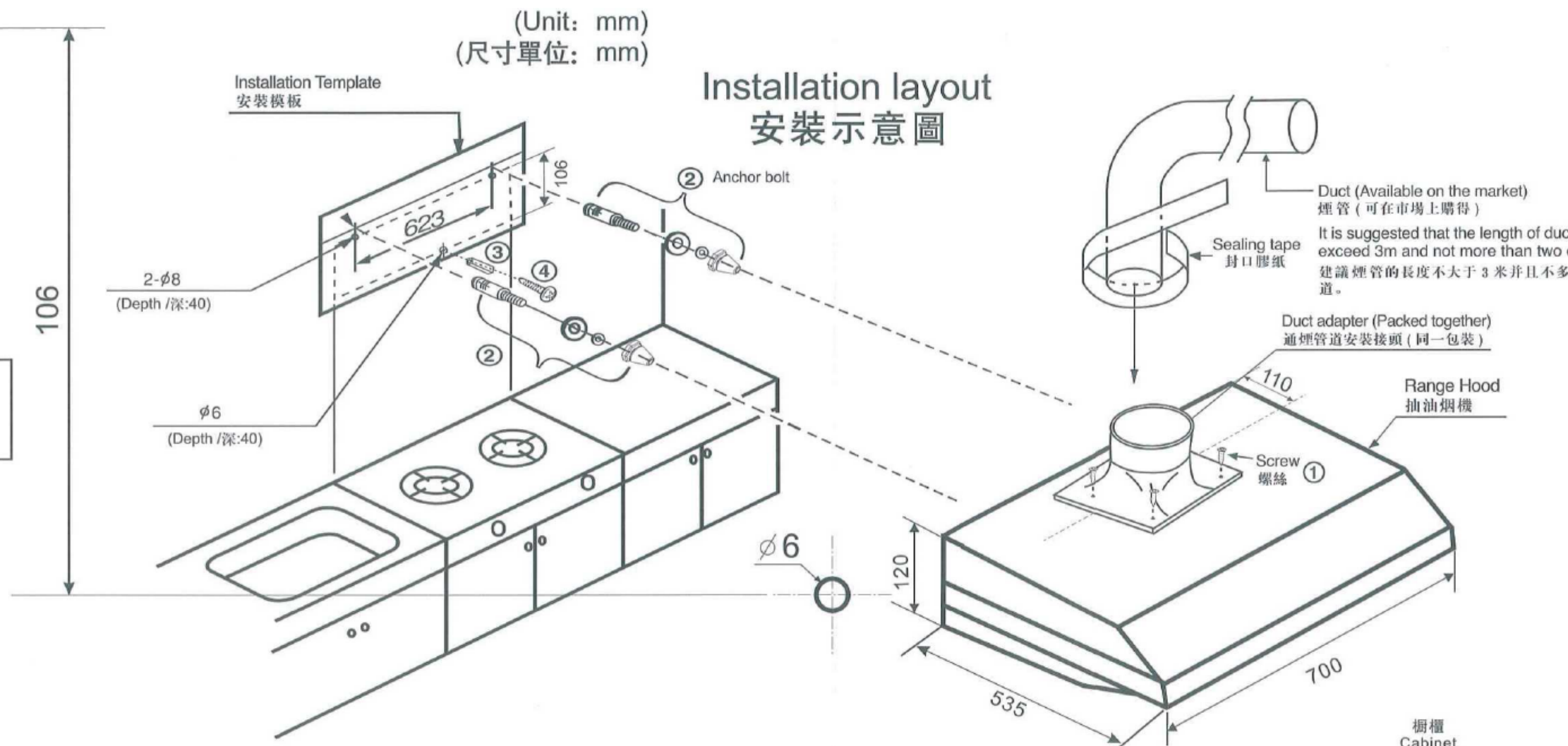
## How to install

## 安裝步驟

### 623 (Installation hole position / 安裝孔)

(Unit: mm)  
(尺寸單位: mm)

### Installation layout 安裝示意圖



Back view

Suggested to make squareness hole at the bottom of cabinet for installing.(fig.5)  
為方便安裝，建議在櫥櫃底面留出一個方形孔(圖5)。

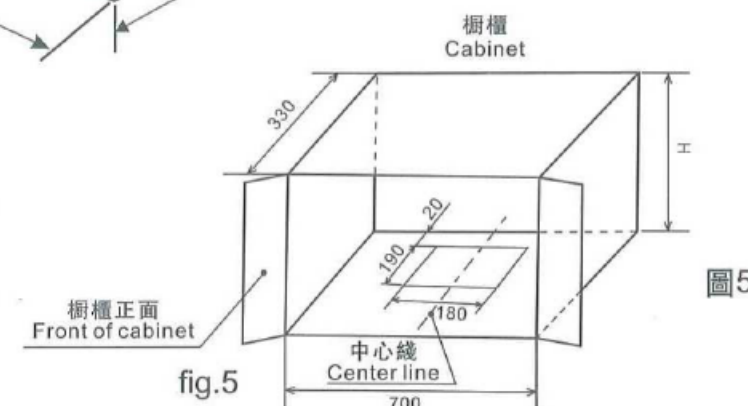


fig.5

- Fixed the adapter and duct according to the installation layout.  
如安裝示意圖所示安裝接頭和煙管  
Duct (Available on the market)  
煙管 (可在市場上購得)  
It is suggested that the length of duct does not exceed 3m and not more than two cranks.  
建議煙管的長度不大於 3 米並且不多於兩個彎道。
- Put installation template on the wall keeping appropriate height and horizontal and, drill two  $\phi 8$ mm and a  $\phi 6$ mm holes ,put the anchor bolt into  $\phi 8$ mm holes and tighten the special nut, put the plastic plug into  $\phi 6$ mm hole.(fig.1)  
將安裝模板放置在牆壁上並保持適當的高度和水平，然後鑽 2- $\phi 8$ mm 和一個  $\phi 6$ mm 孔，將膨脹螺絲打入 2- $\phi 8$ mm 的孔，擰緊特殊螺母，並將塑膠管打入  $\phi 6$ mm 孔(圖1)
- Make sure the range hood is locked into the undercut of anchor bolt.  
(fig.2)  
確認抽油煙機被掛到膨脹螺絲的特殊螺母卡位上(圖2)  
Caution: after installation, holding each side of the range hood and dragging for checking whether the range hood is installed securely.  
(fig.3)  
注意：安裝後，分別抓住抽油煙機的兩邊用力向外拉，以確認抽油煙機是否已經安裝牢固(圖3)  
Warning: if have not hanged on the special nut, it will be drop down.  
警告：如果抽油煙機沒有掛到特殊螺母上，將有跌落的危險。
- Fixed the installation plate by wood screw.(fig.4)  
用木螺絲固定安裝支撐片(圖4)  
Caution: For preventing range hood drop down after upthrust, please fixed this screw.  
注意：為了防止機體倒推后掉落，請擰緊此螺絲。

Cabinet bottom position (Recommendation position)

This is recommended cabinet position in accordance with installation explanation. If the dimension is less than 60mm,the range hood will be difficult to install. If it is more than 60mm, the gap between the product and cabinet will be bigger. If it be followed this line,front gap will be around 40mm.

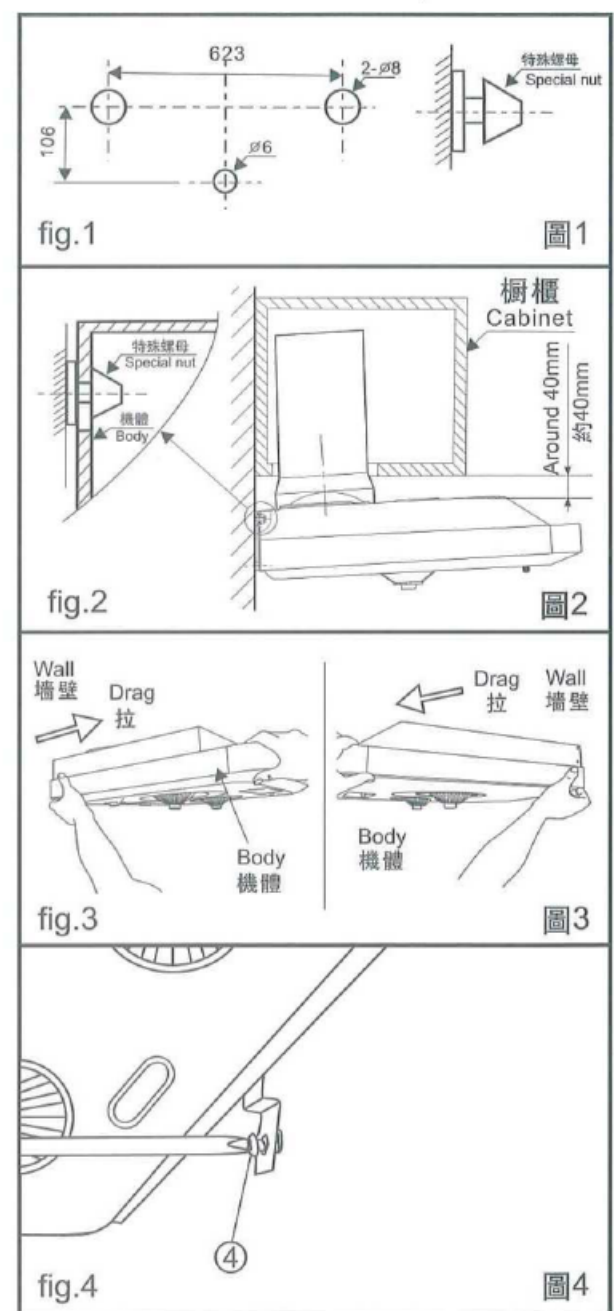


fig.1

圖1

fig.2

圖2

fig.3

圖3

fig.4

圖4