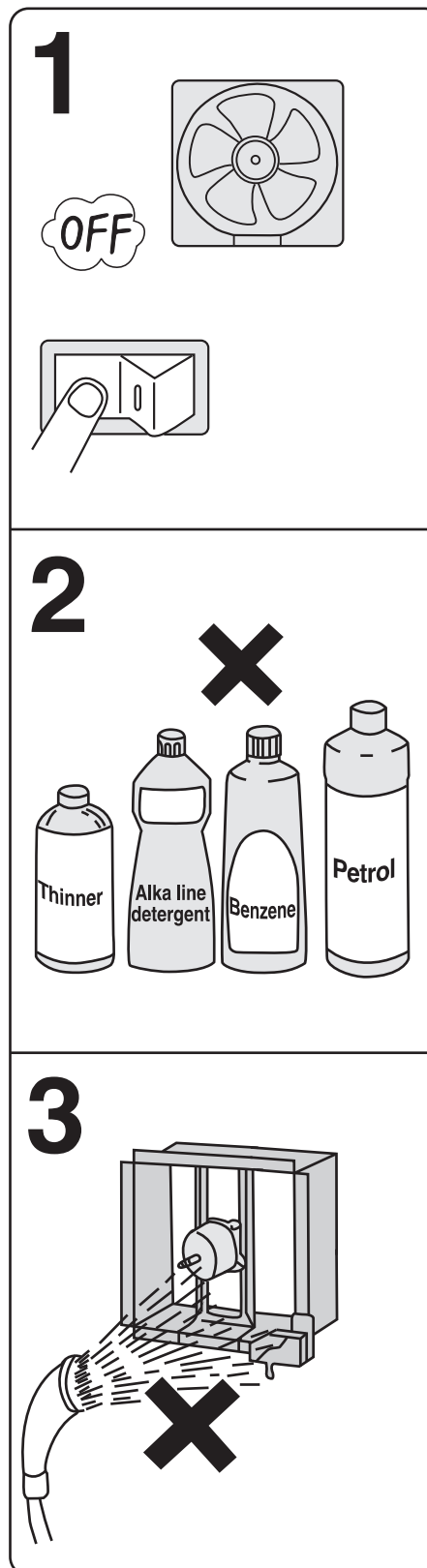


MAINTENANCE PRECAUTIONS 保養方法

1. Disconnect the power supply until blade is stationary before clean and maintenance.
2. Never use petrol, benzene, thinner or any other such chemicals for cleaning the ventilating fan.
3. Do not allow water to contact electrical part such as the motor.

- 1、在保養和清洗前，請確保斷開電源且扇葉停止轉動。
- 2、切勿使用汽油、苯、溶劑或任何類似的化學藥物清洗換氣扇。
- 3、請不要讓水接觸到電氣部件，例如馬達。

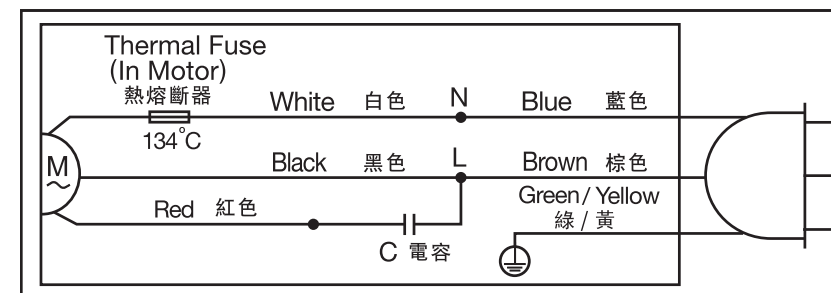


SPECIFICATIONS 規格

Model 型號	Voltage 電壓 (V)	Frequency 電壓 (Hz)	Power consumption 耗電量 (W)	Speed 轉速 (R / M)	Air delivery 排氣量 (CMM)	Power factor 功率因數 (%)	Weight 重量 (kg)
FV-15AST1 07	220	50	15.5	1480	4.8	96	1.4

- * Insulation class E, IP code : IPX4 (outside)
- * E 級絕緣, IP號碼: IPX4 (外牆)

Wiring Diagram
電氣接線原理圖



Panasonic Corporation

Web site: <http://www.panasonic.com>

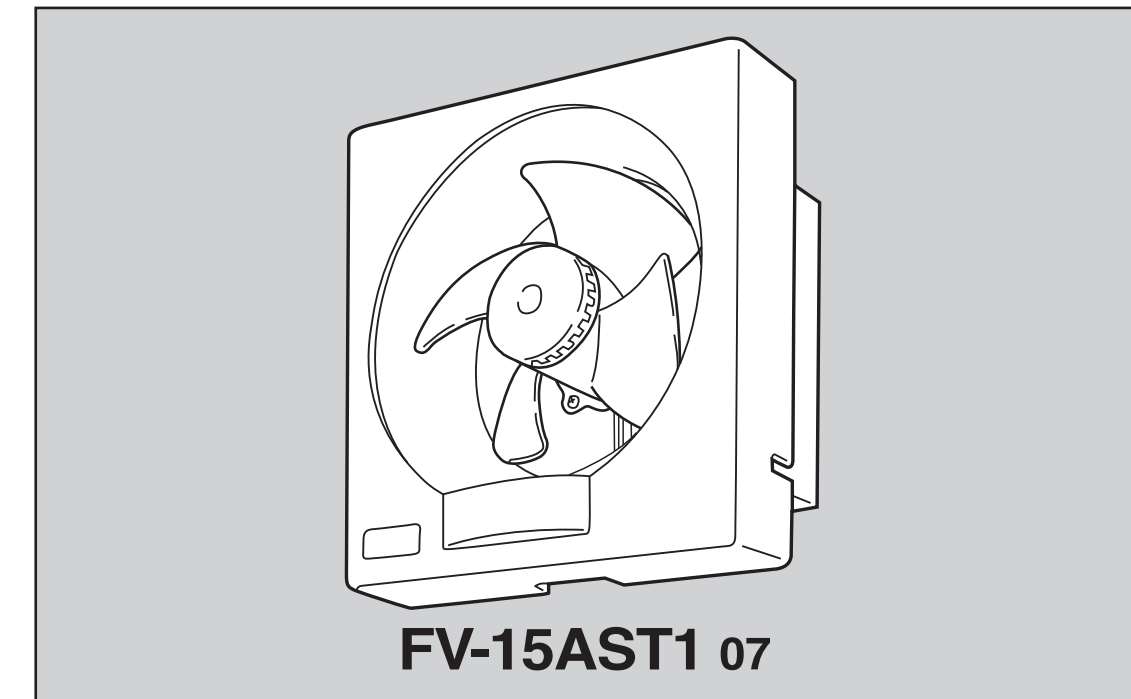
©Panasonic Corporation 2004-2017

P0404-6117 15AST1461F07

Panasonic®

Ventilating Fan
換氣扇

Operating Instructions 操作說明書



Before operating this set, please read these instructions completely.

在使用本機之前，請熟讀本使用說明書。

Disconnect power supply before maintenance.
維護保養前先斷電。

If the supply cord is damaged, it must be replaced by the manufacturer, its service agent or similarly qualified persons in order to avoid a hazard.

如果電源軟線損壞，為避免危險，必須由製造廠，其維修部或類似的專業人員來更換。This product is not intended for use by persons (including children) with reduced physical, sensory or mental capabilities, or lack of experience and knowledge, unless they have been given supervision or instruction concerning use of the product by a person responsible for the safety. Children should be supervised to ensure that they do not play with the product.

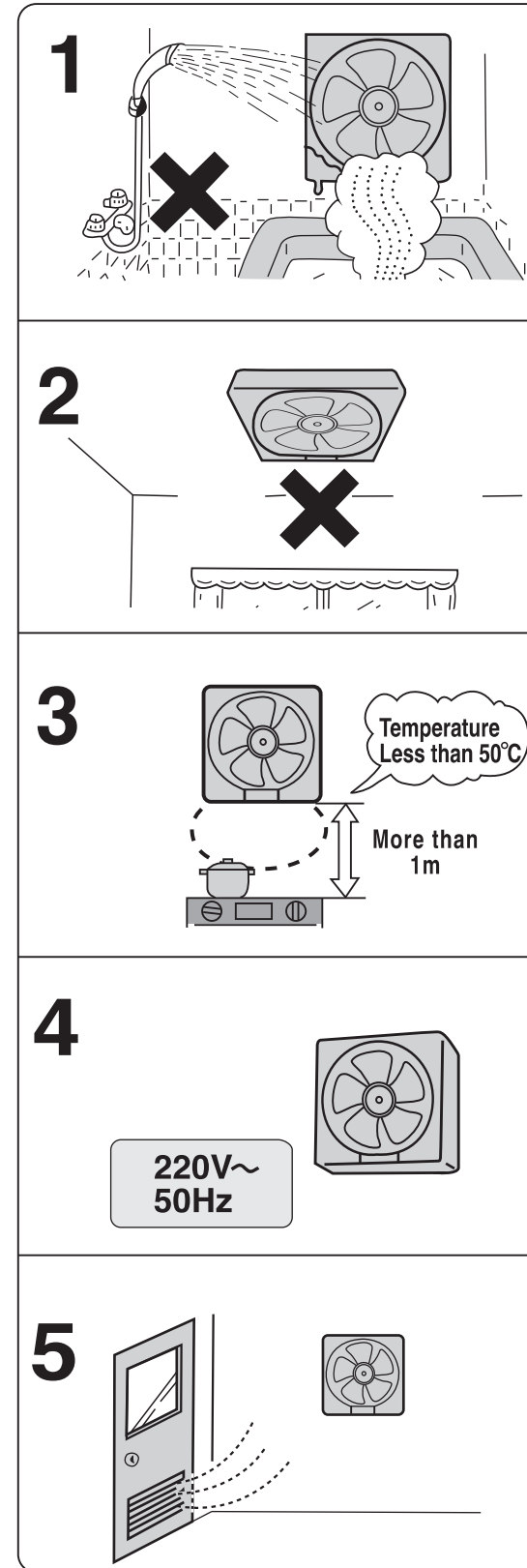
本產品不適合有殘疾、智障或精神障礙的人士，或缺乏經驗常識者（包括兒童）維護使用，除非在監護人的看護或指導下使用，兒童應該有人進行看護，以防將產品當做玩具。

INSTALLATION CAUTIONS

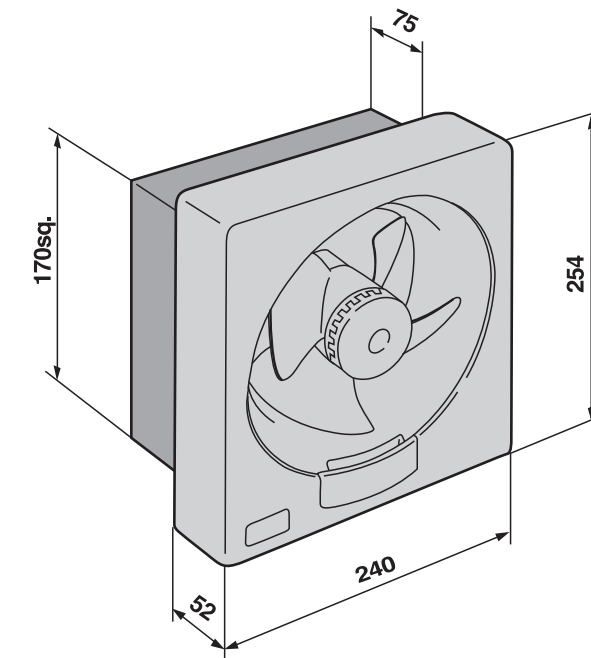
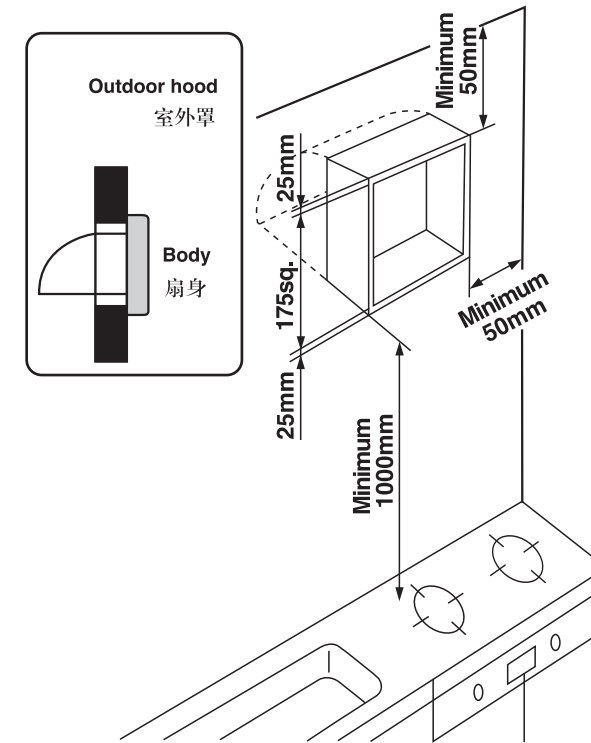
裝配注意事項

1. Do not install this fan where it could be directly exposed to water or excess vapor.
2. Do not install this fan on the ceiling.
3. Keep more than 1 meter away from cooking equipment.
4. Operate this fan at the rated voltage and frequency indicated on the name plate.
5. Be sure to provide an appropriate for air intake.
6. For this fan, precautions must be taken to avoid the back-flow of gases into the room from the open flue of gas or other flue-burning appliances.
7. Install this fan over 2.3m above the floor.
8. This fan can be mounted in outside faced wall from the inside of room.
9. Do not disassemble the unit for reconstruction.
10. The fan should be installed by a qualified person.
11. When the product is no longer to be used, it must not be left in the place but removed, to prevent it from possible falling.
12. The product must be mounted on a wall strong enough. If can not be ensured that the wall will bear the weight of the mounted product, that wall must be reinforced for it to be strong enough.
13. The special-purpose or dedicated parts, such as mounting fixtures, must be used if such parts are provided.
14. Do not install the product as the method which is not approved in the instruction.

1. 不要把換氣扇安裝在容易被水噴到，或煙霧、水氣過多的地方。
2. 不要把換氣扇裝在天花板上。
3. 安裝於離高溫器具一米以上距離的地方。
4. 須根據已標明的額定電壓及頻率使用換氣扇。
5. 必需安裝在有通風口的地方。
6. 在安裝換氣扇時，請採取適當的措施以防止氣體從一般的排氣管或炊具排氣管倒流回室內。
7. 此換氣扇的安裝高度距離地面勿低於2.3米。
8. 此換氣扇可以從室內安裝在外牆上。
9. 不得擅自進行產品的改造。
10. 換氣扇必須由有專業資格的人員進行安裝。
11. 使用結束後，為防止在萬一的情況下掉落，不得放置不管，應予以拆除。
12. 產品必須安裝在足夠強度的牆體上。當不能確保安裝強度時，務必採取加固措施，以確保足夠強度。
13. 有安裝五金件等專用零部件時，應使用專用的。
14. 不得進行指定方法以外的安裝。



HOW TO INSTALL 安裝方法



Dimensions:mm
單位：毫米

