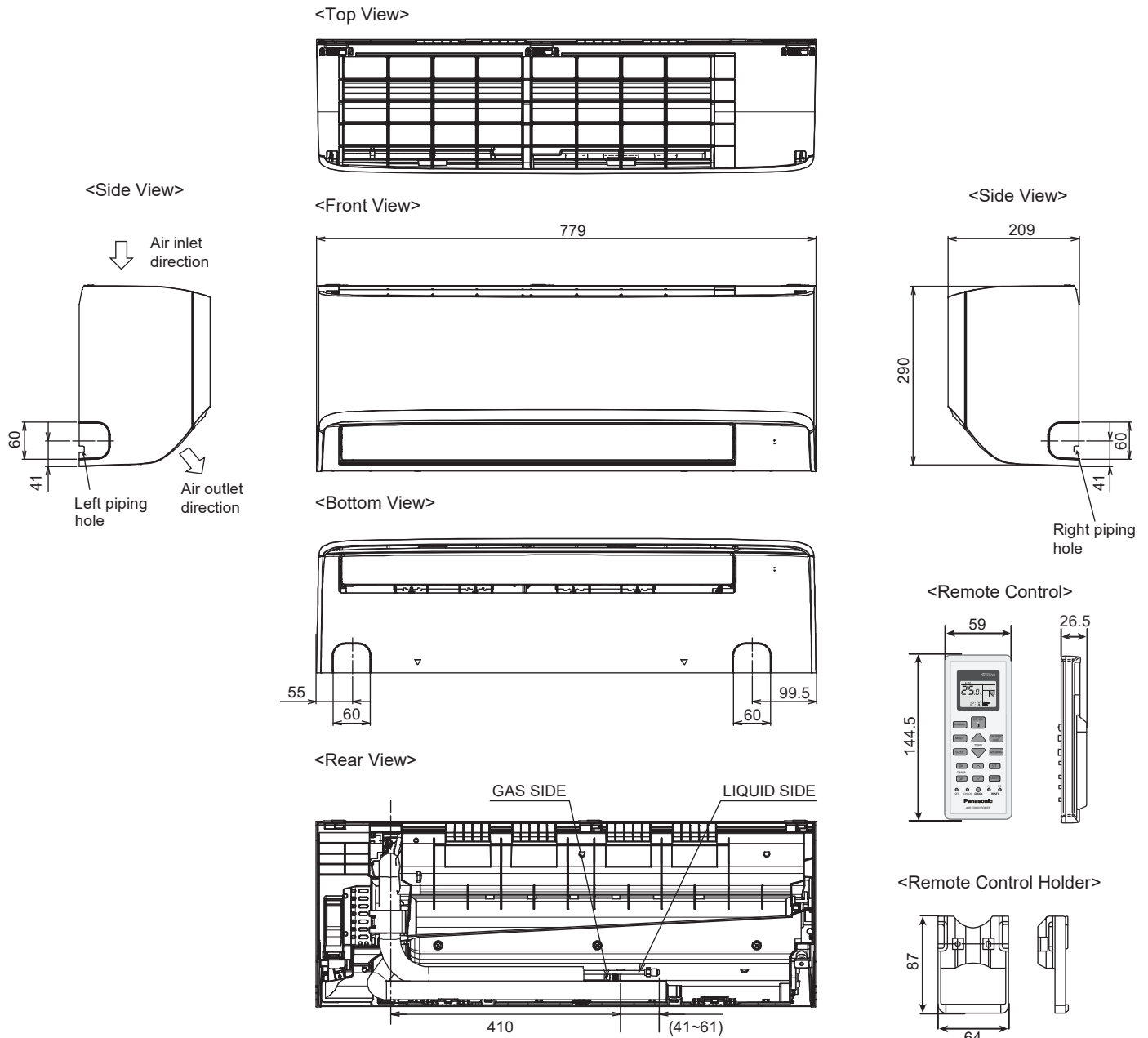


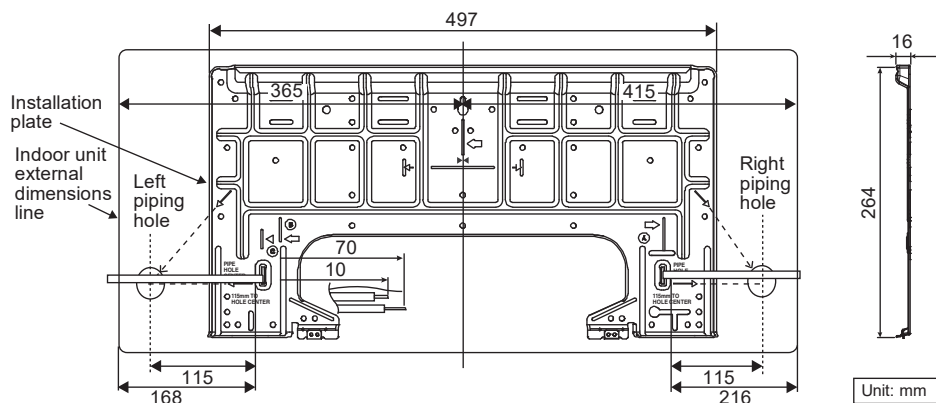
5. Dimensions

5.1 Indoor Unit

5.1.1 CS-YU9ZKA CS-YU12ZKA

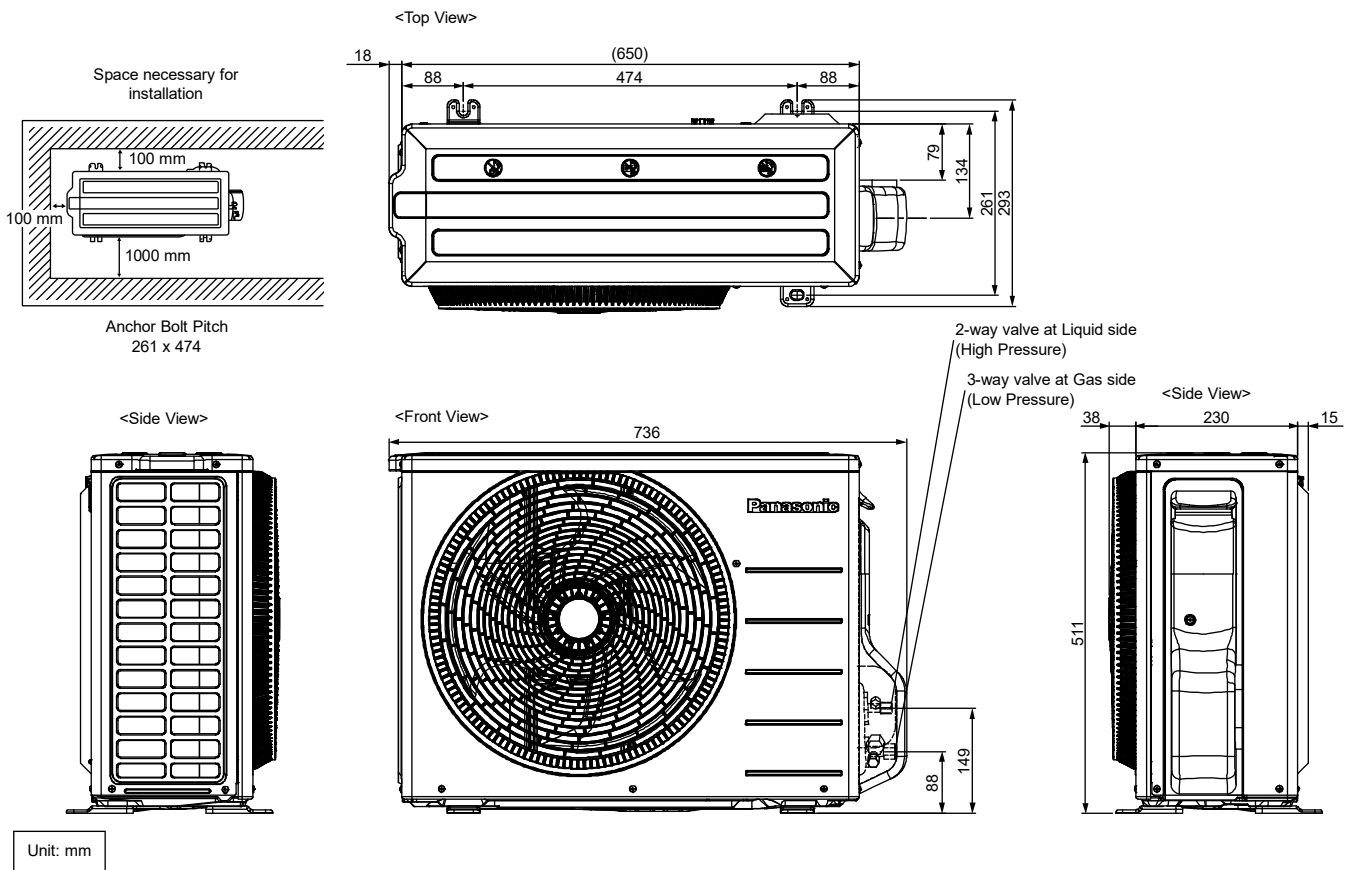


Relative position between the indoor unit and the installation plate <Front View>



5.2 Outdoor Unit

5.2.1 CU-YU9ZKA



5.2.2 CU-YU12ZKA

