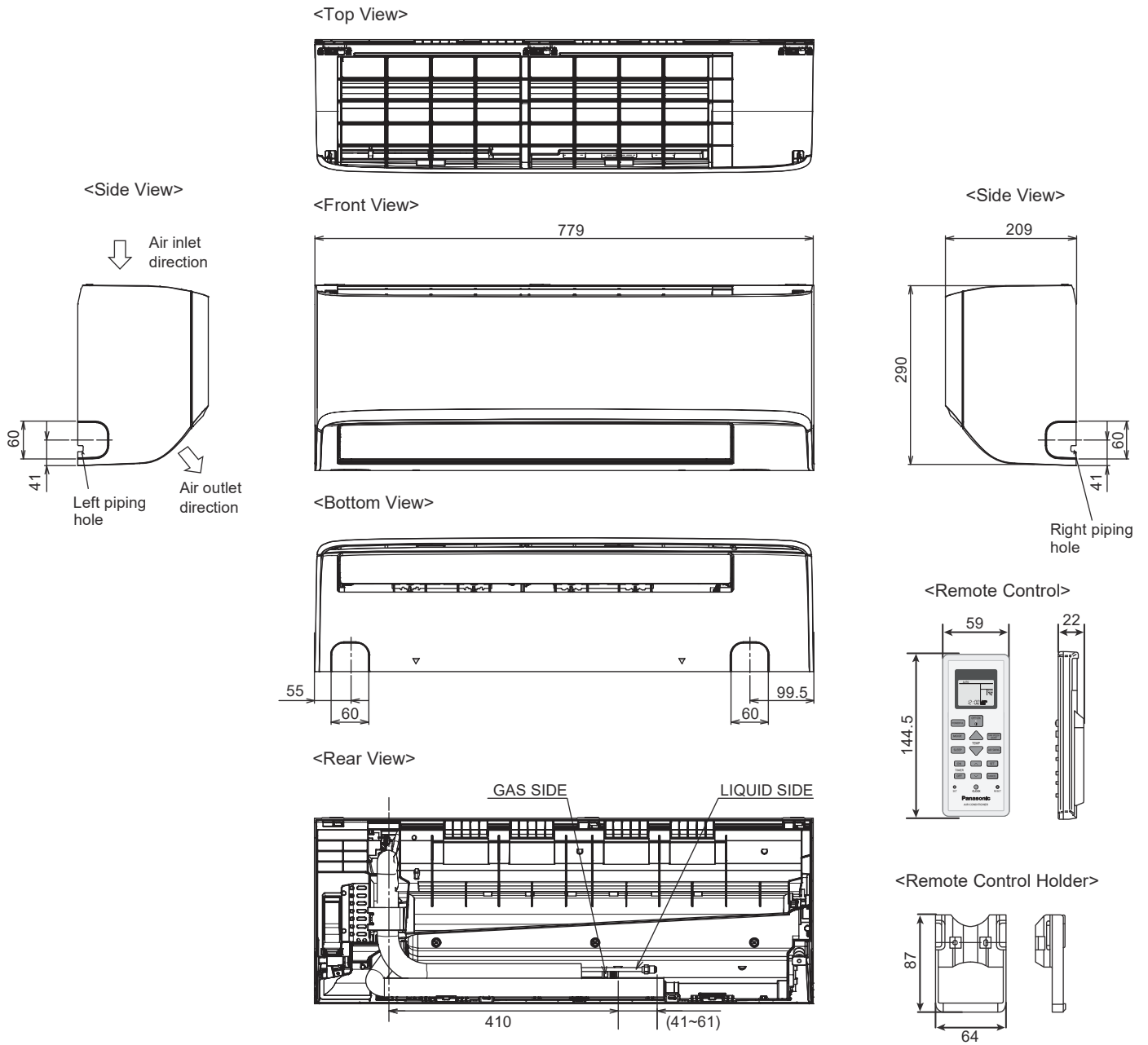


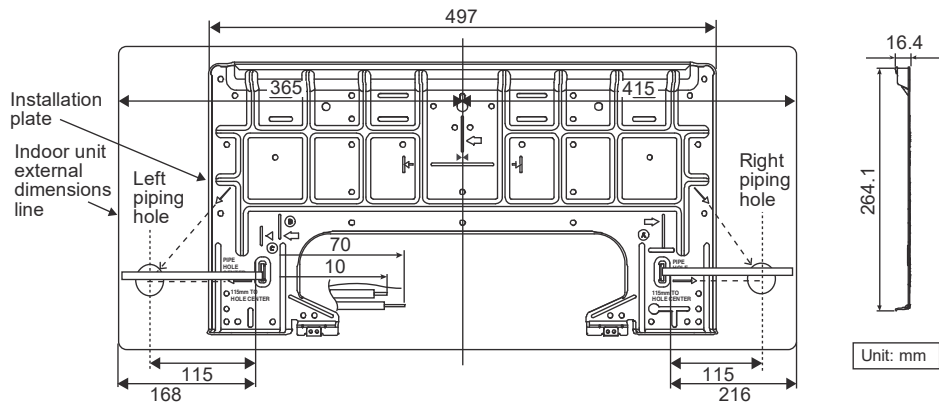
# 6. Dimensions

## 6.1 Indoor Unit

### 6.1.1 CS-PN9ZKA CS-PN12ZKA

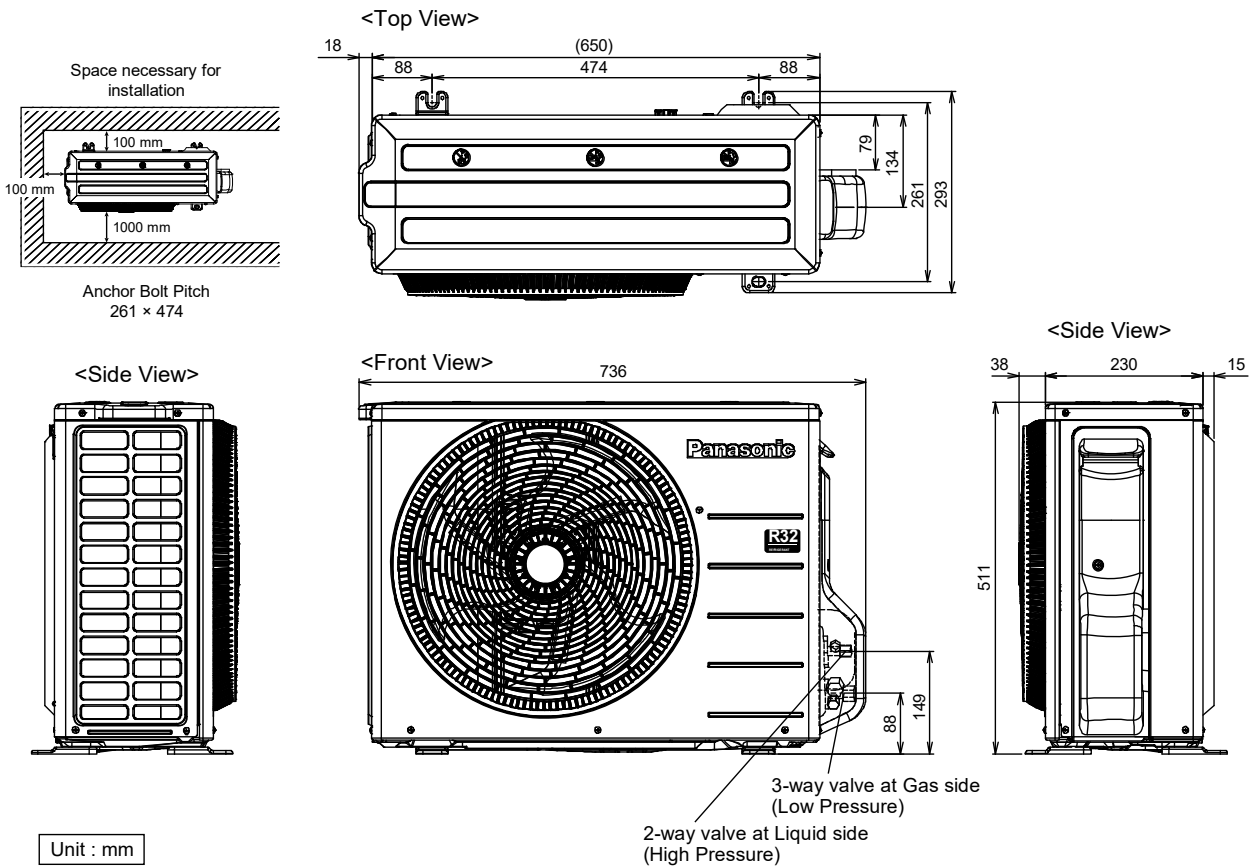


Relative position between the indoor unit and the installation plate <Front View>



## 6.2 Outdoor Unit

### 6.2.1 CU-PN9ZKA



### 6.2.2 CU-PN12ZKA

