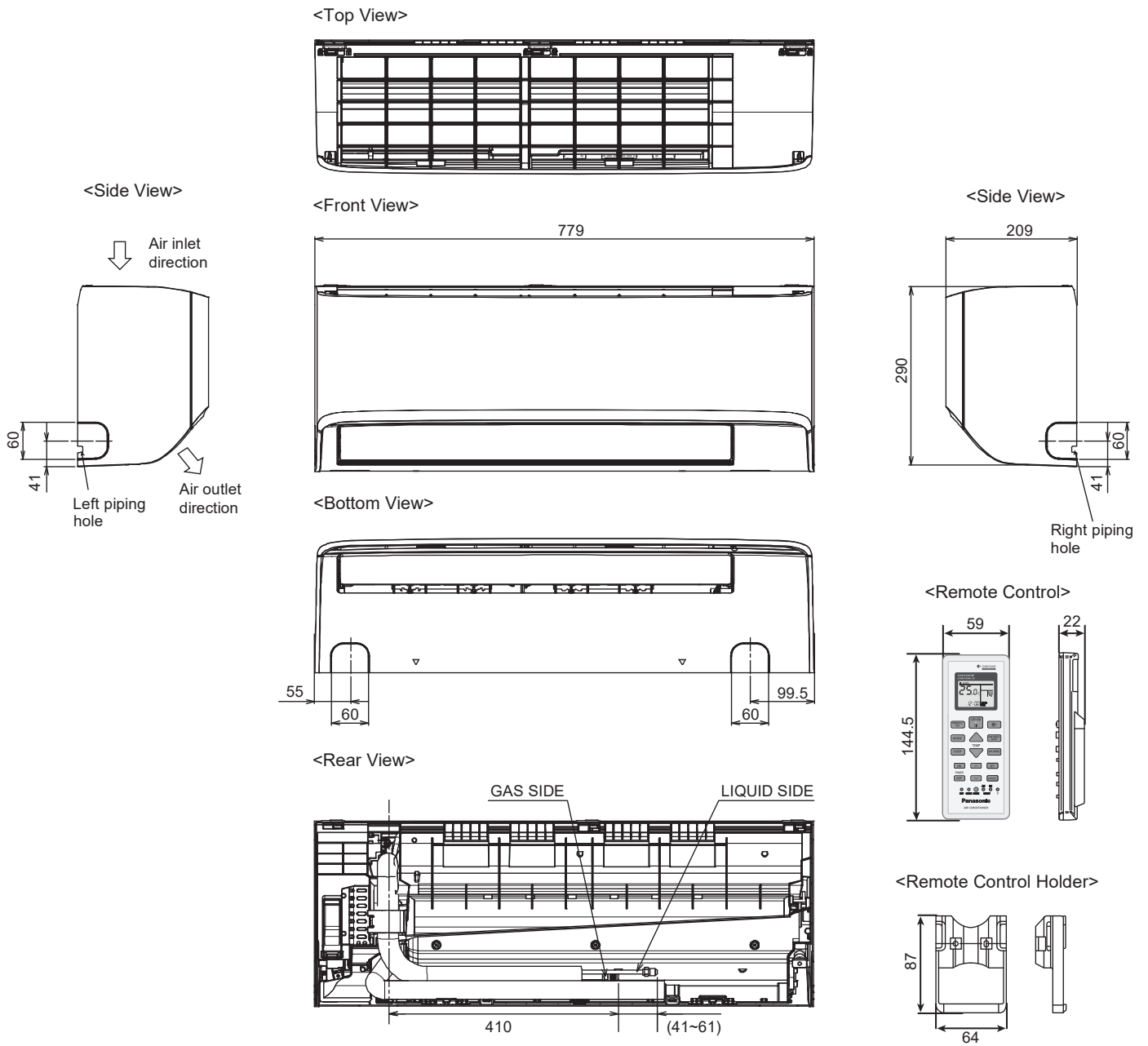


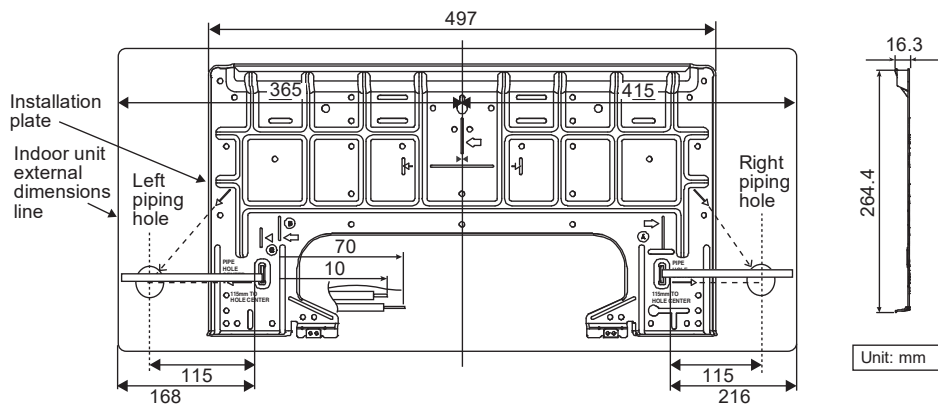
5. Dimensions

5.1 Indoor Unit and Remote Control

5.1.1 CS-LU9ZKA CS-LU12ZKA

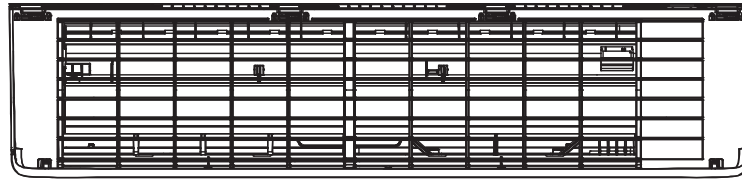


Relative position between the indoor unit and the installation plate <Front View>

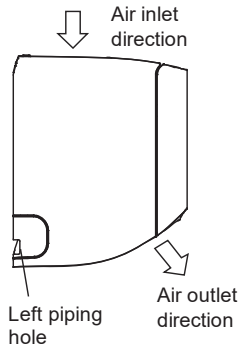


5.1.2 CS-LU18ZKA

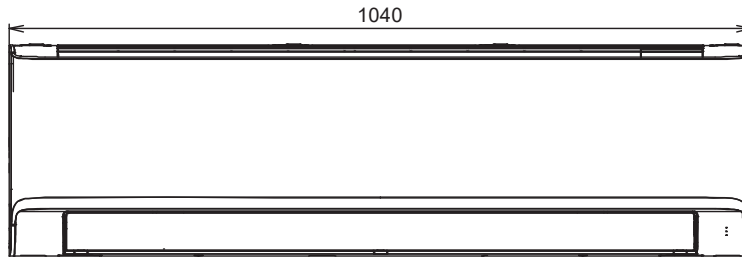
<Top View>



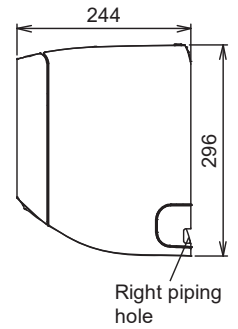
<Side View>



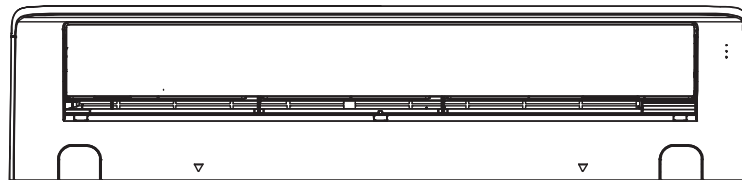
<Front View>



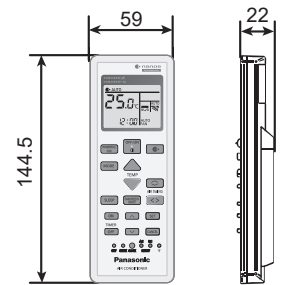
<Side View>



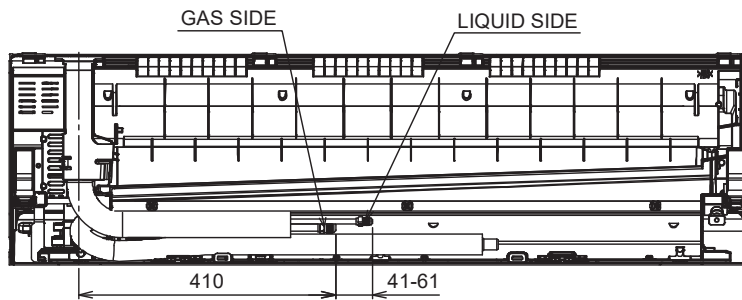
<Bottom View>



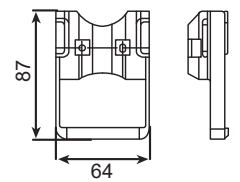
<Remote Control>



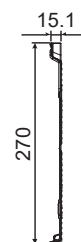
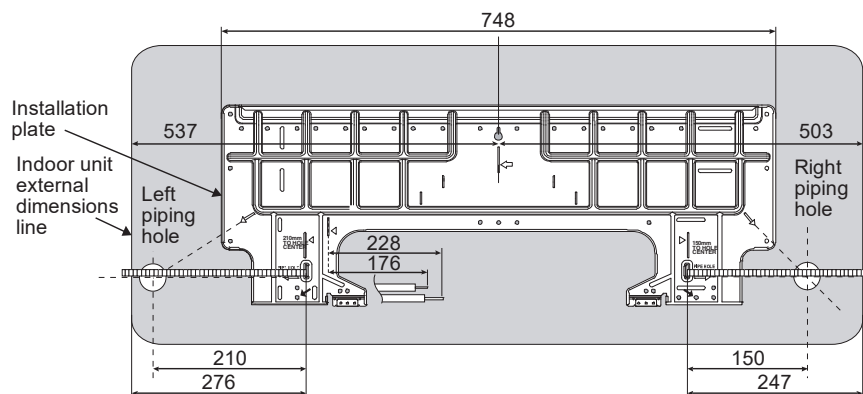
<Rear View>



<Remote Control Holder>

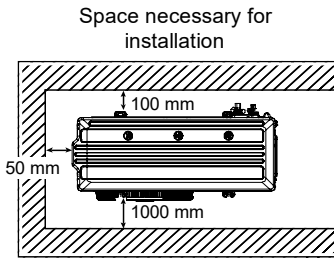


Relative position between the indoor unit and the installation plate <Front View>



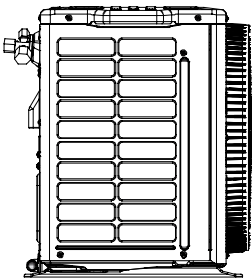
Unit: mm

5.2 Outdoor Unit

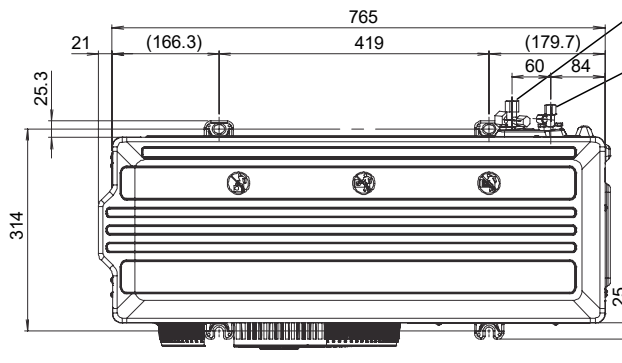


Anchor Bolt Pitch
314 x 419

<Side View>

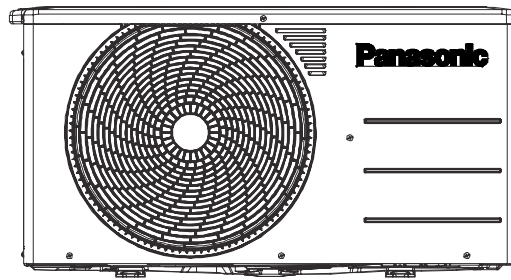


<Top View>

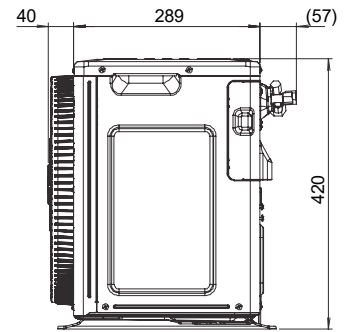


3-way valve at Gas side
(Low Pressure)
2-way valve at Liquid side
(High Pressure)

<Front View>



<Side View>



Unit : mm